

deceuninck



ALUMINIUM WINDOWS & DOORS

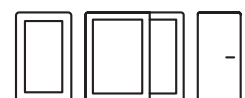


TABLE OF CONTENTS

UNIQUE RANGE OF ALUMINIUM	03
A UNIQUE CONCEPT WITH 3 DISTINCTIVE FEATURES	07
WINDOWS	08
Decalu88 Standard	08
Decalu94 Retro	10
Decalu110 Steel	12
Decalu88 New Steel	14
Decalu88 Hidden	16
Decalu88 Open-Out	18
Decalu101 Scand	20
DOORS	22
Decalu88 Doors	22
Decalu88 Folding Doors	24
SLIDING WINDOWS	26
Decalu163 Slide	26
DRAINAGE	28
SMART COLOURS	29
PROFILE OVERVIEW	32
QUALITY CONTROL	38

UNIQUE RANGE OF ALUMINIUM

Based on the innovative So Easy technology

Efficiency, user-friendliness, technical performance and design possibilities.

Within the scope of these four pillars, Deceuninck presents Decalu, a groundbreaking line of aluminium products fully developed on the basis of the innovative patented So Easy technology.

What does this mean? A comprehensive high-performance range of products with the same installation depth and minimal U-value for all our aluminium windows and doors.

Comprehensive high-performance product range

Deceuninck's Decalu line is unique in the market thanks to the integration of techniques also used in the production of our pvc profiles.

- + The drainage is hidden in the frame, which results in an aesthetic upgrade.
- + The preassembled gaskets in the glazing bead facilitate the assembly considerably.

Our previous system was optimised from 8 to only 3 components without central gasket. All new product series meet the same high insulation values.

THE BASIC PRINCIPLES OF DECALU :

- + invisible drainage
- + integrated gaskets
- + easy assembly of the glazing bead
- + minimal rebate joint
- + production time halved
- + no central gasket



Simplified design, more possibilities

Deceuninck strives for less complexity and more design possibilities such as space-saving folding doors and a steel look for our window profiles. All different series rely on the groundbreaking Decalu system.

Windows

- + **Decalu88 Standard**
A timeless style with a completely flat exterior. This slim, neutral look is the perfect choice for any modern construction or renovation project.
- + **Decalu94 Retro**
Windows with a retro touch? These profiles with classic groove details do the trick. The Retro series is ideal for the construction of rural houses or the renovation of townhouses.
- + **Decalu110 Steel**
Inspired by the industrial trend, this design adds an original element to any contemporary loft or commercial property.
- + **Decalu88 New Steel**
The steel look with an additional dimension? The New Steel windows look even slimmer for an architectural end result.
- + **Decalu88 Hidden**
In the Hidden series, the sash is completely hidden behind the frame. This hidden sash is perfect for extremely sleek and minimalist construction projects.

Doors

- + **Decalu88 Doors**
The flush-mounted door is fully compatible with all Decalu window series.
- + **Decalu88 Folding doors**
Folding doors are smart design solutions that save space and ensure maximum light incidence without jeopardising performance. The barrier between inside and outside disappears when the folding doors are open.

Sliding windows

- + **Decalu163 Slide**
Sliding windows are the way to provide a lot of space and light. The slim Decalu profiles minimise visual nuisance and allow for large spans.





Combine aluminium
and pvc without
compromise

Decalu and Elegant: a perfect match

The groundbreaking Decalu series taps into the growing market share of aluminium and complements our range of pvc products perfectly. Deceuninck strongly believes in a future where aluminium and pvc play a complementary role. How? By combining the best of both in one application.

Performance and design go hand in hand

Our new Elegant pvc profile (to be launched in 2020) not only stands out because of its performance; its ultra-slim design can easily match that of aluminium. On the other hand, Decalu **has been optimised in terms of insulation values without jeopardising the typical aluminium look**. As is the case with Elegant, the drainage is hidden in the frame profile. In addition, the simple assembly principle of the glazing bead with pvc profiles now constitutes an added value for Decalu.

The technology behind both systems has been conceived in such a manner that the **difference between Decalu and Elegant is almost impossible to see**. The design and the use of colours are in perfect tune with each other thanks to Smart Colours. An architect can therefore combine aluminium and pvc solutions flawlessly in the same project.

This match has numerous advantages for the manufacturer as well.

- + Decalu and Elegant have the same maintenance characteristics.
- + The number of spare parts to be kept in stock will decrease significantly.
- + The uniform system used to build the Decalu series allows for the production of different designs on the same machines.

As the new Decalu system consists of only three parts, the manufacturer gains at least 50% production time per window.*

The Decalu - Elegant combination offers you more choice without increasing complexity.

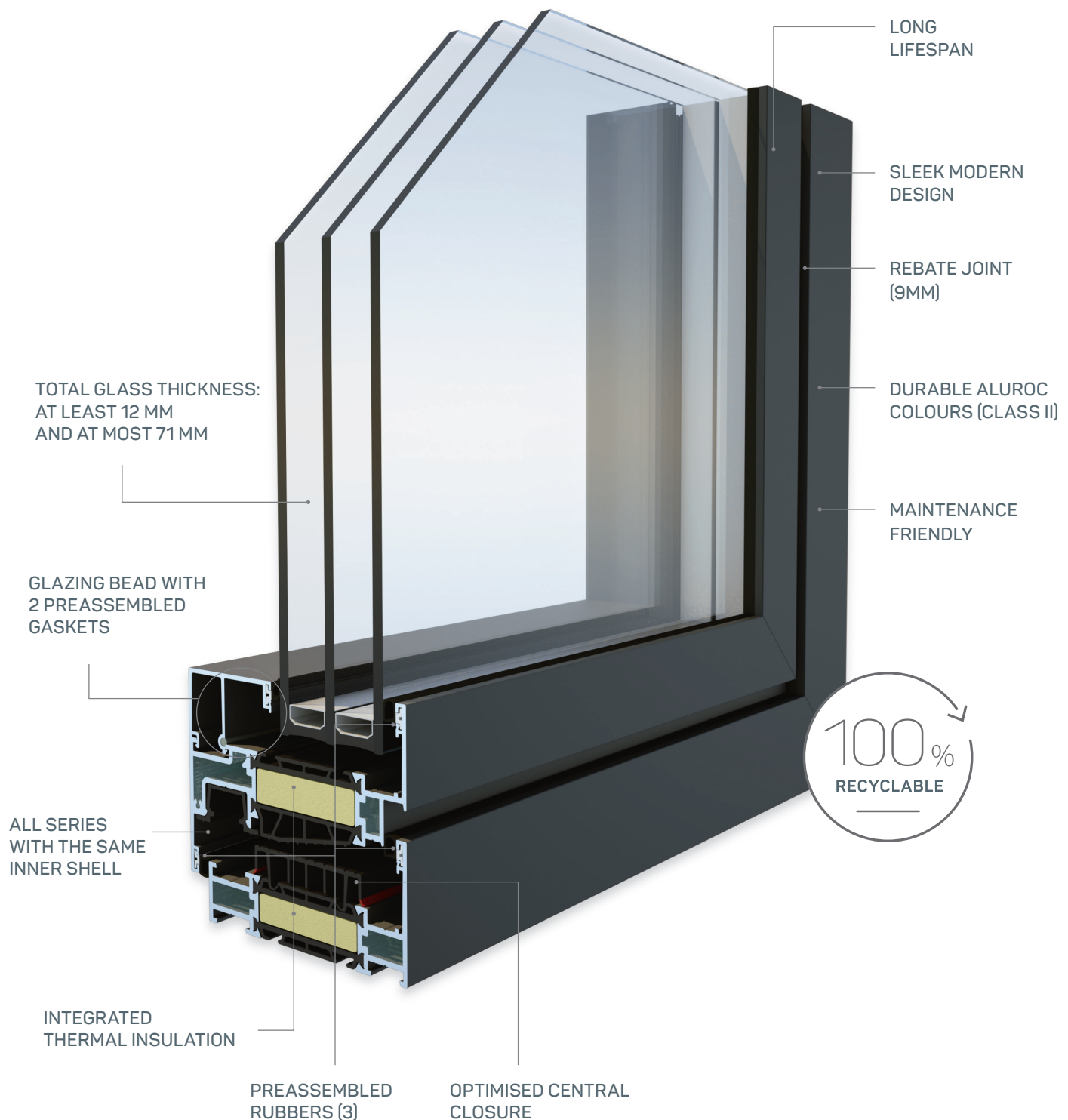
* window dimensions: DK1200 x 1400 (WXH)



Deceuninck aluminium

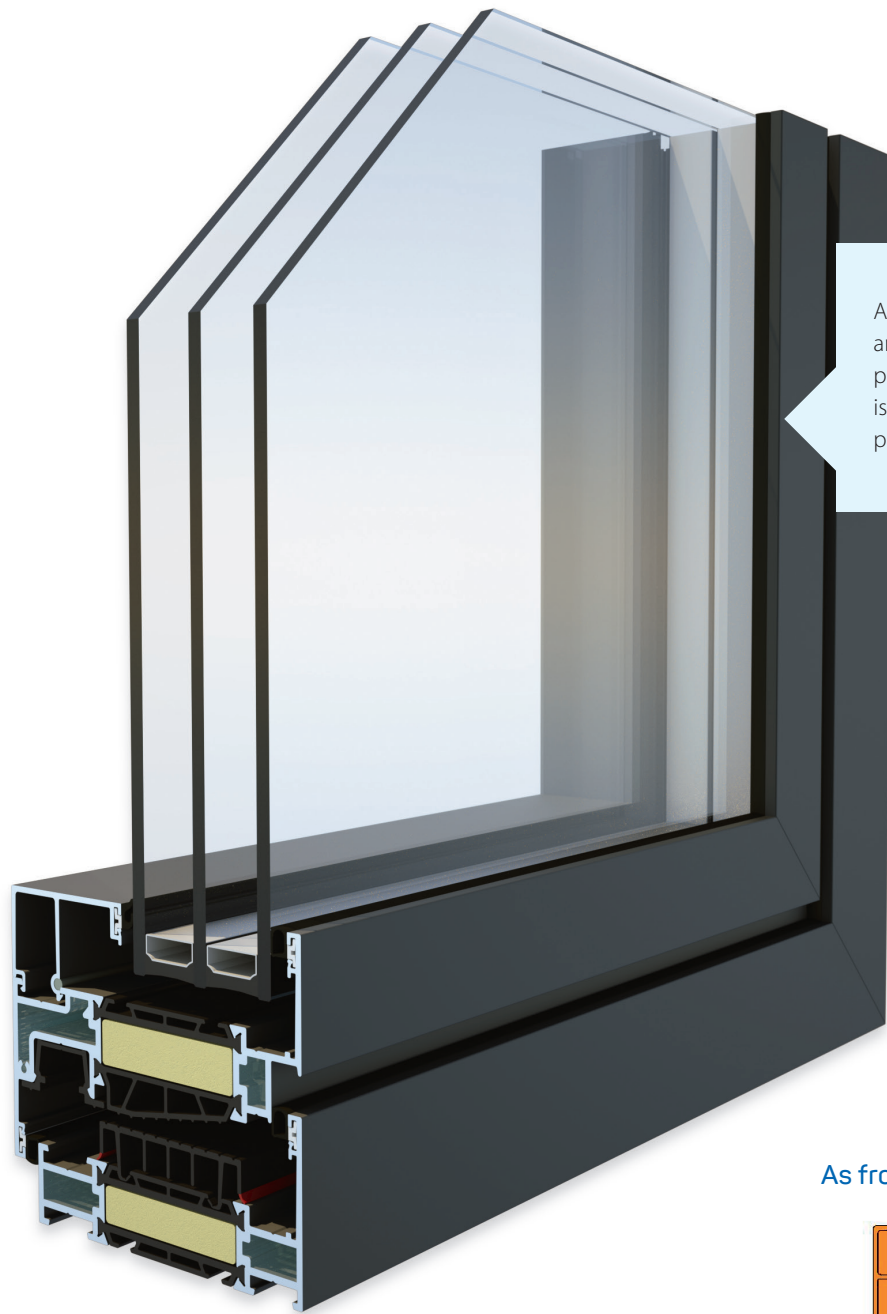
Unique concept with 3 distinctive features

- One inner frame with an identical middle section and slim profiles
- Sash and glazing bead with preassembled gaskets in frame, sash and glazing beads
- Integrated thermal insulation in the profiles



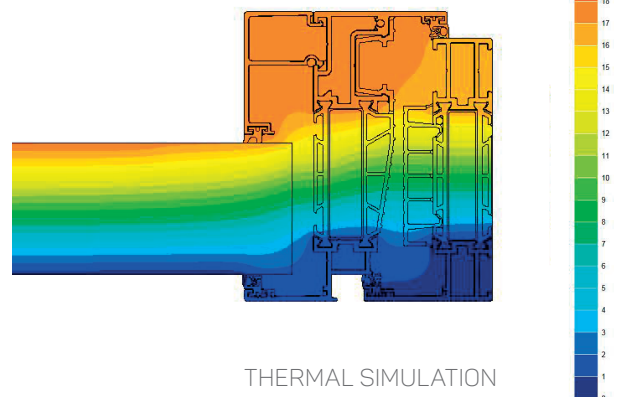
DECALU88 STANDARD

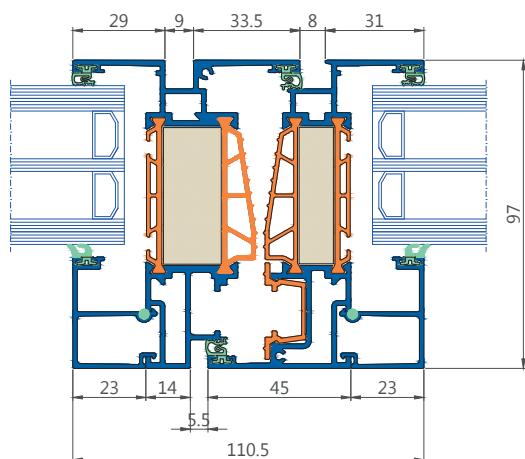
A timeless solution for modern projects



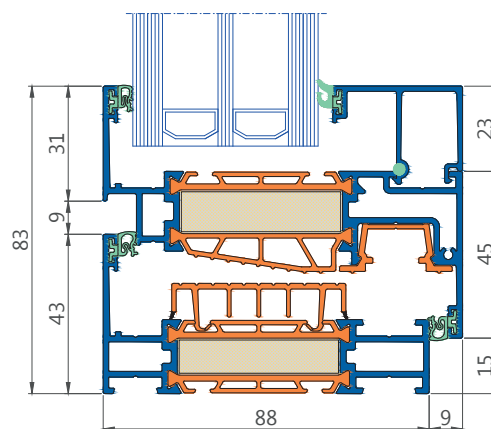
A flat exterior with a modern and timeless look & feel. The slim profiles ensure that this series is ideal for both contemporary projects and renovations.

As from $U_f = 0,96W/(m^2k)$





horizontal section



vertical section

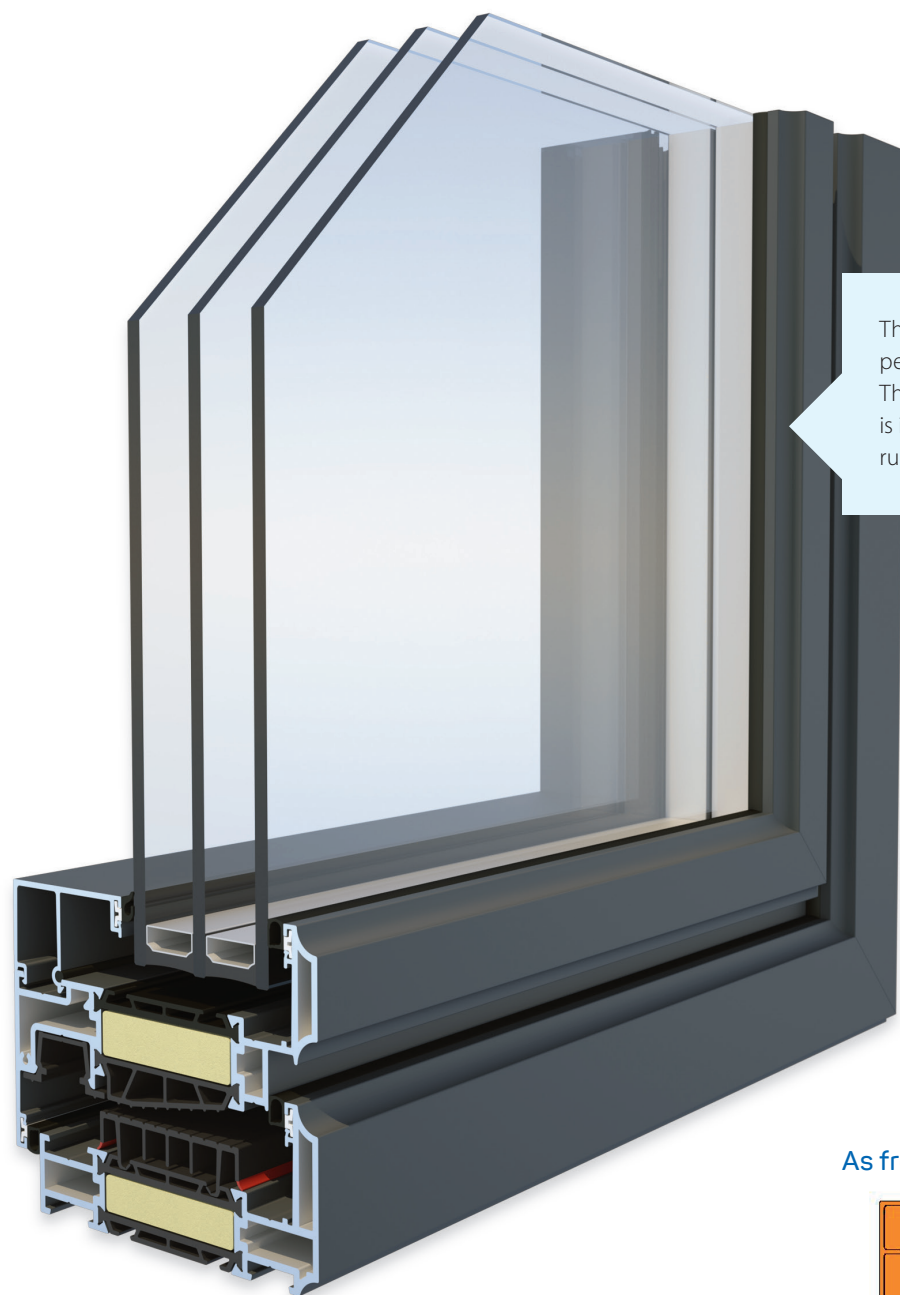
Technical performance		Decalu88 Standard
TEST	GLAZING	VALUE (SASH + FRAME)
EN ISO 10077-2		as from $U_f = 0.96 \text{ W/(m}^2\text{K)}$
EN ISO 10077-1	Double glazing	$U_g = 1.1 \text{ W/m}^2\text{K}$ $U_g = 1.0 \text{ W/m}^2\text{K}$
	Triple glazing	$U_g = 0.6 \text{ W/m}^2\text{K}$ $U_g = 0.4 \text{ W/m}^2\text{K}$
Air permeability	NBN EN 12207	class 4
Watertightness	NBN EN 12208	E2250
Wind resistance	NBN EN 12210	class C5
Operating forces	NBN EN 13115	Class 1
Incorrect use	NBN EN 13115	Class 3
Acoustic value	88.2/16/6/16/66.2	EN 20140-3:1999 - RW 47(-1;-2)

Technical characteristics	Decalu88 Standard
Frame installation depth	88mm
Sash installation depth	97mm
Hardware	16mm
Rebate height	25mm
Glazing bead height	23mm
Possible glass thickness	21-71mm
Internal visible height of the frame	20mm, 34mm, 48mm, 89mm
External visible height of the frame	43mm, 57mm, 71mm, 112mm
External visible height of the transom	66mm, 80mm, 94mm
Exterior	frame and sash profile flush-mounted
Interior	rebated and flush-mounted possible
Central gasket	ABS integrated
Glazing rubbers	EPDM
Alloy	EN AW 6060 TW66
Thermal break	Abs 49mm

(*) U-Value calculated on the basis of a tilt and turn window measuring 1.2 x 1.5 m (WxH)
 All other standardised classifications performed on a tilt and turn window measuring 1.23 x 1.48 m (WxH)
 Window with 2 suspension points and 6 locking points

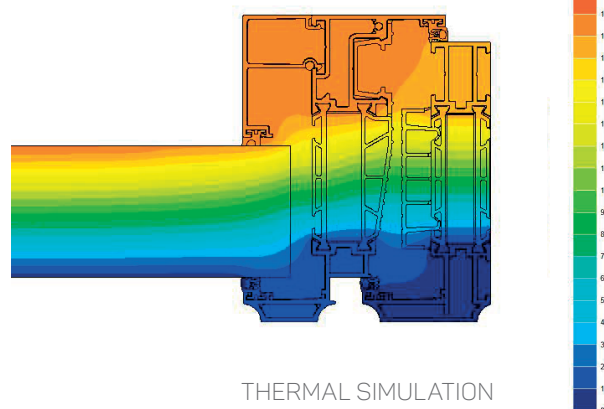
DECALU94 RETRO

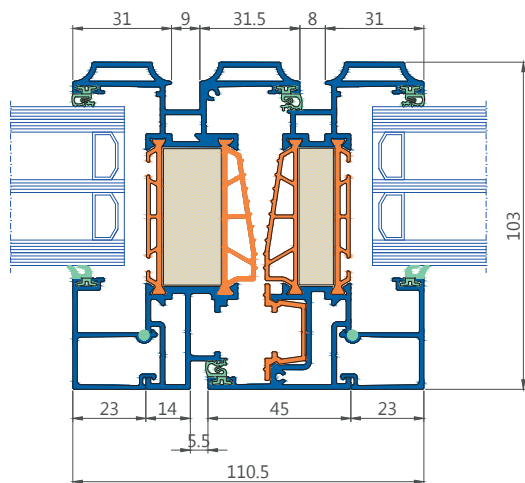
Rustic alternative for low-energy homes



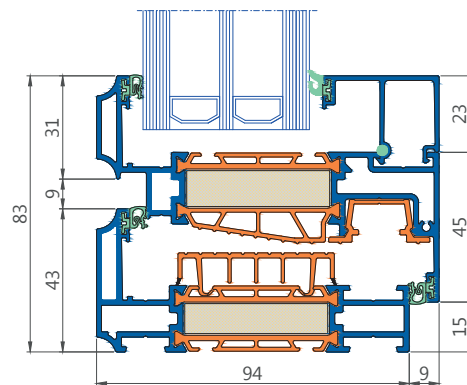
The outer shell provides a depth perception with a rustic feel to it. This results in a retro look, which is ideal for homes in a traditional, rural or rectory style.

As from $U_f = 1,2 \text{ W}/(\text{m}^2\text{k})$





horizontal section



vertical section

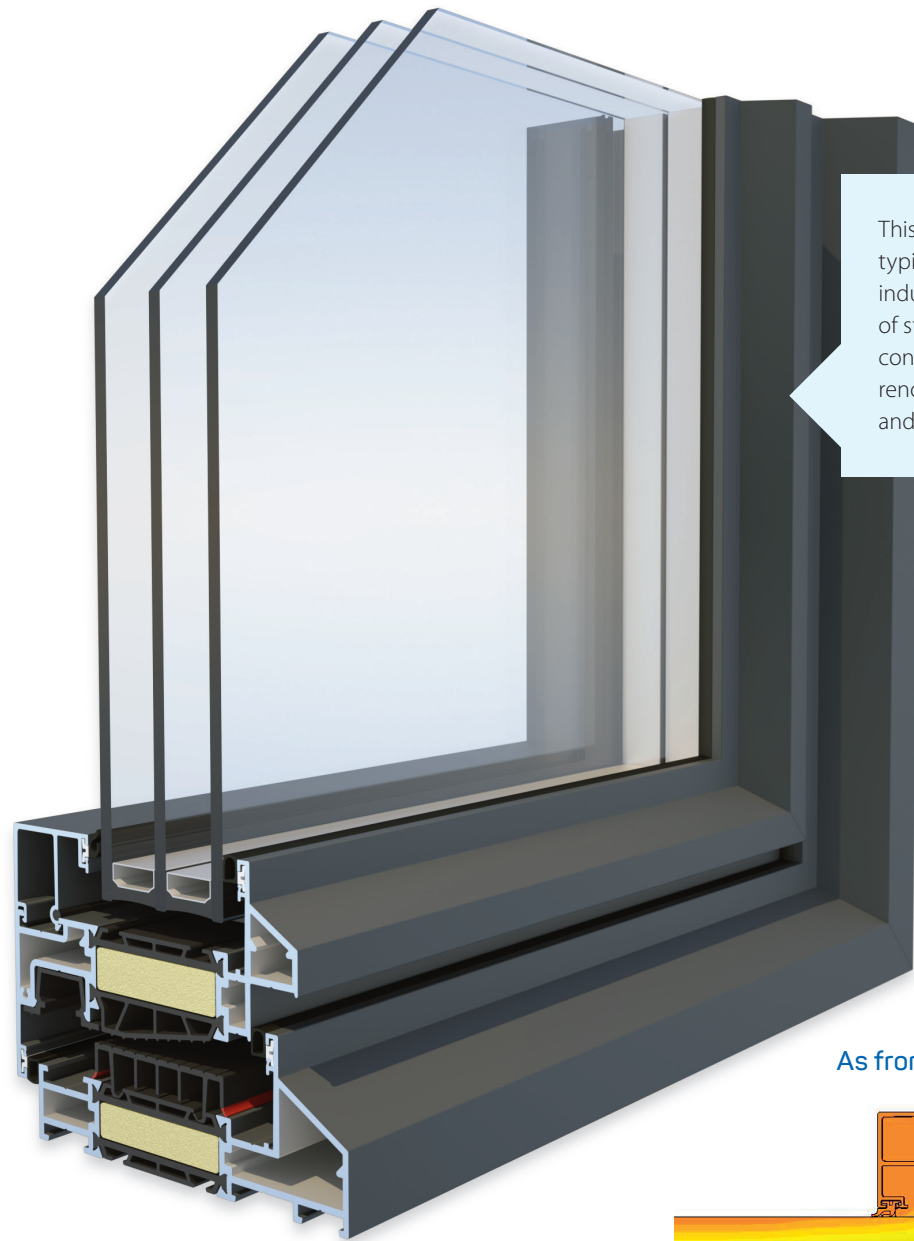
Technical performance		Decalu94 Retro	
TEST	GLAZING		VALUE (SASH + FRAME)
EN ISO 10077-2			as from $U_f = 1.2 \text{ W/(m}^2\text{k)}$
EN ISO 10077-1	Double glazing	$U_g = 1.1 \text{ W/m}^2\text{K}$ $U_g = 1.0 \text{ W/m}^2\text{K}$	$U_w = 1.27 \text{ W/m}^2\text{K}^*$ $U_w = 1.21 \text{ W/m}^2\text{K}^*$
	Triple glazing	$U_g = 0.6 \text{ W/m}^2\text{K}$ $U_g = 0.4 \text{ W/m}^2\text{K}$	$U_w = 0.95 \text{ W/m}^2\text{K}^*$ $U_w = 0.82 \text{ W/m}^2\text{K}^*$
Air permeability	NBN EN 12207		class 4
Watertightness	NBN EN 12208		E2250
Wind resistance	NBN EN 12210		class C5
Operating forces	NBN EN 13115		class 1
Incorrect use	NBN EN 13115		Class 3
Acoustic value	88.2/16/6/16/66.2		EN 20140-3:1999 - RW 47(-1;-2)

Technical characteristics	Decalu94 Retro
Frame installation depth	94mm
Sash installation depth	103mm
Hardware	16mm
Rebate height	25mm
Glazing bead height	23mm
Possible glass thickness:	21-71mm
Internal visible height of the frame	20mm, 34mm
External visible height of the frame	43mm, 57mm
External visible height of the transom	66mm
Exterior	frame and sash profile flush-mounted
Interior	sash profile surface-mounted
Central gasket	ABS integrated
Glazing rubbers	EPDM
Alloy	EN AW 6060 TW66
Thermal break	Abs 49mm

(*) U-Value calculated on the basis of a tilt and turn window measuring 1.2 x 1.5 m (WxH)
 All other standardised classifications performed on a tilt and turn window measuring 1.23 x 1.48 m (WxH)
 Window with 2 suspension points and 6 locking points

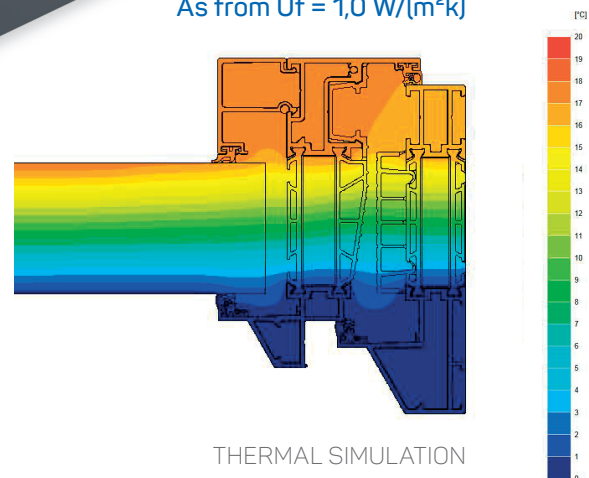
DECALU110 STEEL

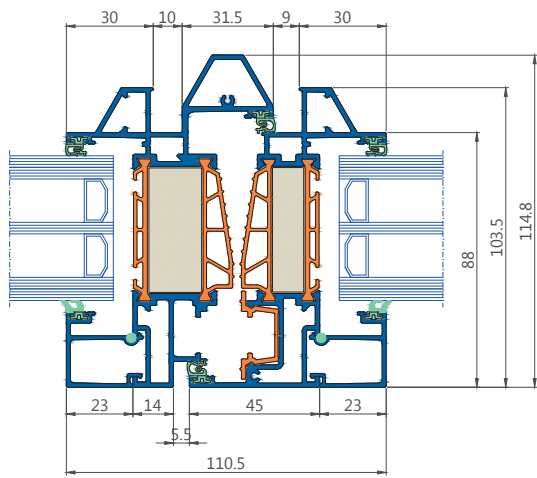
Create the industrial loft feeling



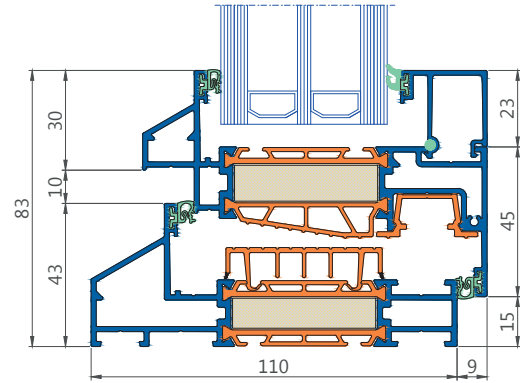
This series creates the 'steel look' typical of the architecture of old industrial buildings. The imitation of steel windows is ideal for new contemporary homes and for the renovation of existing buildings and lofts.

As from $U_f = 1,0 \text{ W}/(\text{m}^2\text{k})$





horizontal section



vertical section

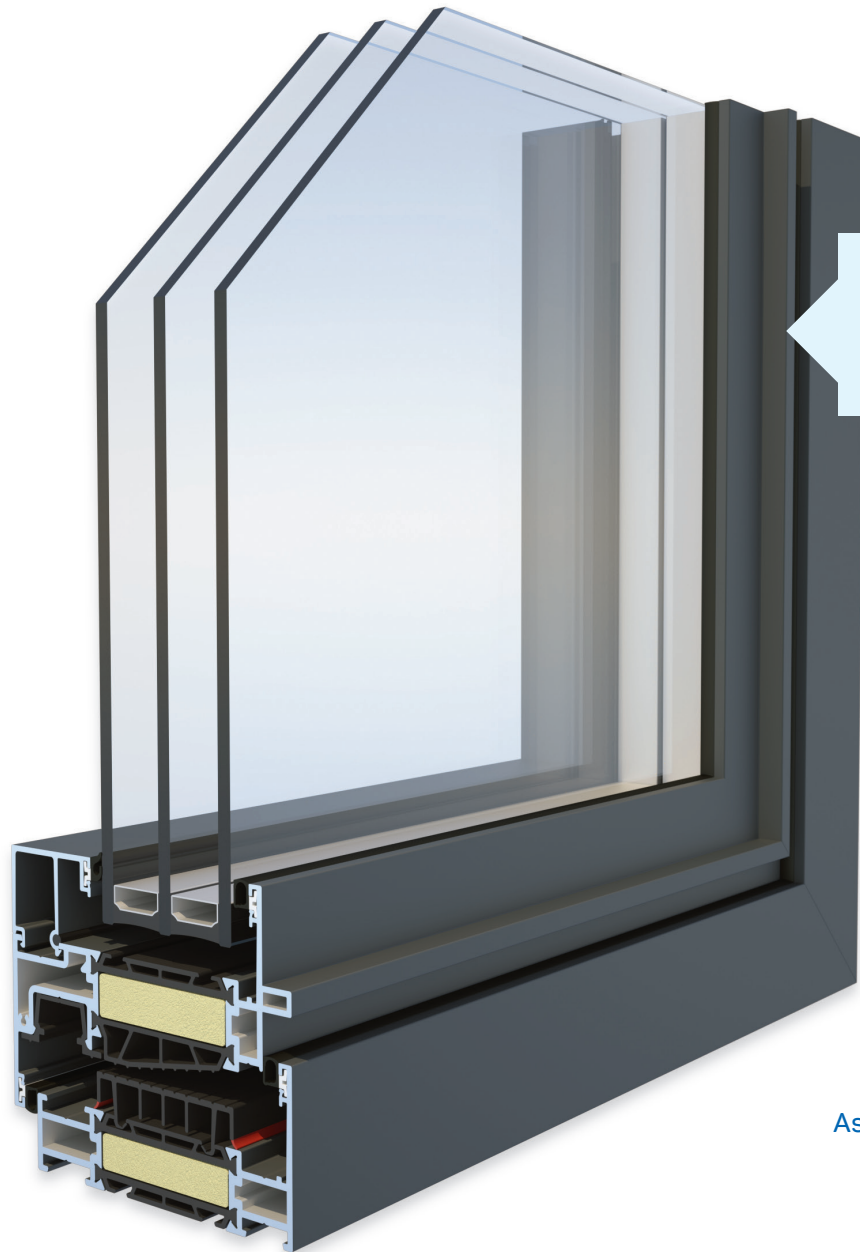
Technical performance		Decalu110 Steel	
TEST	GLAZING		VALUE (SASH + FRAME)
EN ISO 10077-2			as from $U_f = 1.0 \text{ W/(m}^2\text{k)}$
EN ISO 10077-1	Double glazing	$U_g = 1.1 \text{ W/m}^2\text{K}$ $U_g = 1.0 \text{ W/m}^2\text{K}$	$U_w = 1.19 \text{ W/m}^2\text{K}^*$ $U_w = 1.13 \text{ W/m}^2\text{K}^*$
	Triple glazing	$U_g = 0.6 \text{ W/m}^2\text{K}$ $U_g = 0.4 \text{ W/m}^2\text{K}$	$U_w = 0.90 \text{ W/m}^2\text{K}^*$ $U_w = 0.79 \text{ W/m}^2\text{K}^*$
Air permeability	NBN EN 12207		class 4
Watertightness	NBN EN 12208		E2250
Wind resistance	NBN EN 12210		class C5
Operating forces	NBN EN 13115		Class 1
Incorrect use	NBN EN 13115		Class 3
Acoustic value	88.2/16/6/16/66.2		EN 20140-3:1999 - RW 47(-1;-2)

Technical characteristics	Decalu110 Steel
Frame installation depth	110mm
Sash installation depth	103.5mm
Hardware	16mm
Rebate height	25mm
Glazing bead height	23mm
Possible glass thickness:	12-62mm
Internal visible height of the frame	20mm
External visible height of the frame	43mm
External visible height of the transom	66mm
Exterior	frame and sash profile flush-mounted
Interior	sash profile surface-mounted
Central gasket	ABS integrated
Glazing rubbers	EPDM
Alloy	EN AW 6060 TW66
Thermal break	Abs 49mm

(*) U-Value calculated on the basis of a tilt and turn window measuring 1.2 x 1.5 m (WxH)
 All other standardised classifications performed on a tilt and turn window measuring 1.23 x 1.48 m (WxH)
 Window with 2 suspension points and 6 locking points

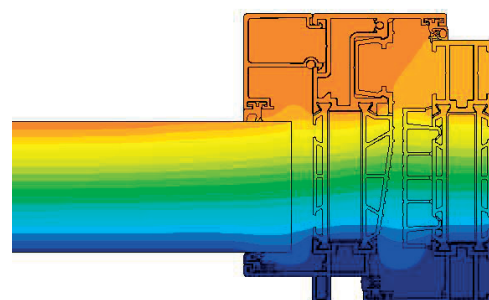
DECALU88 NEW STEEL

Minimalist and sleek

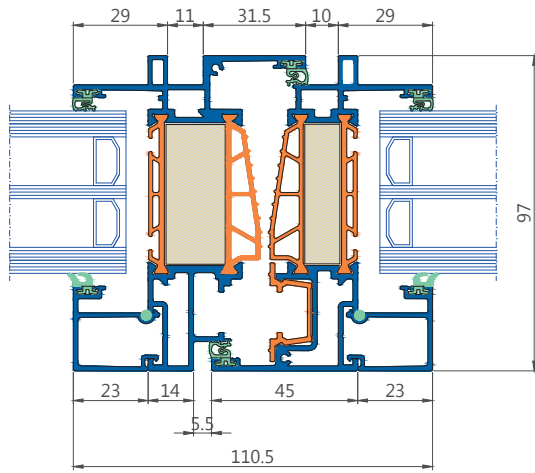


An innovative version of the steel look for a modernist and architecturally refined design.

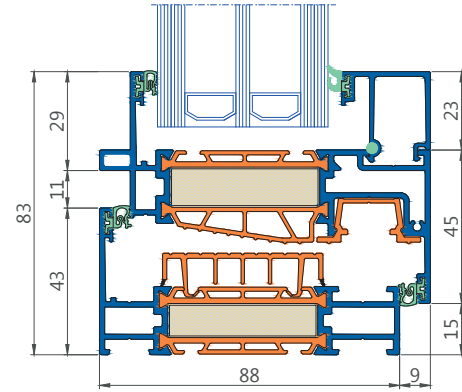
As from $U_f = 1,2 \text{ W/(m}^2\text{k)}$



THERMAL SIMULATION



horizontal section



vertical section

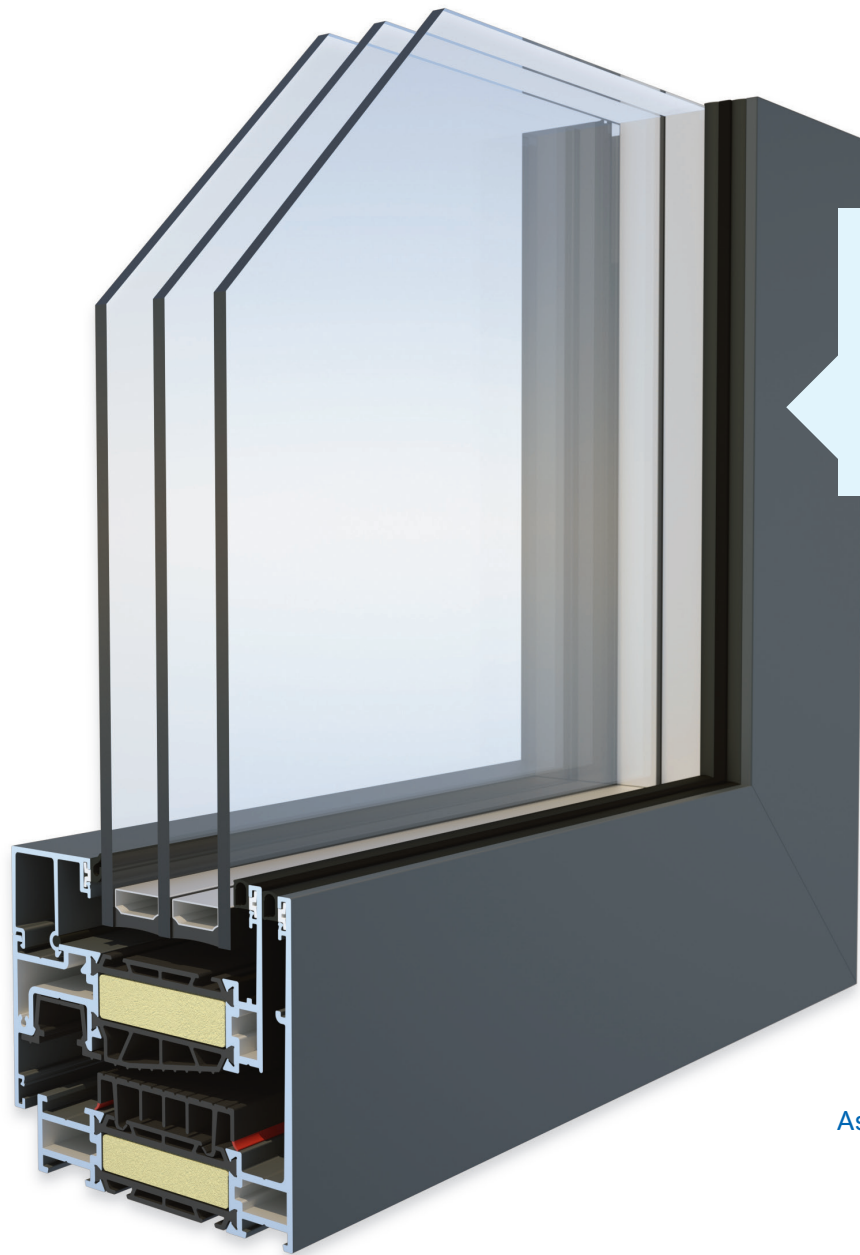
Technical performance		Decalu88 New Steel	
TEST	GLAZING		VALUE (SASH + FRAME)
EN ISO 10077-2			as from $U_f = 1.2W/(m^2k)$
EN ISO 10077-1	Double glazing	$U_g = 1.1 W/m^2K$ $U_g = 1.0 W/m^2K$	$U_w = 1.27 W/m^2K$ * $U_w = 1.21 W/m^2K$ *
	Triple glazing	$U_g = 0.6 W/m^2K$ $U_g = 0.4 W/m^2K$	$U_w = 0.95 W/m^2K$ * $U_w = 0.81 W/m^2K$ *
Air permeability	NBN EN 12207		class 4
Watertightness	NBN EN 12208		E2250
Wind resistance	NBN EN 12210		class C5
Operating forces	NBN EN 13115		Class 1
Incorrect use	NBN EN 13115		Class 3
Acoustic value	88.2/16/6/16/66.2		EN 20140-3:1999 - RW 47(-1;-2)

Technical characteristics	Decalu88 New Steel
Frame installation depth	88mm
Sash installation depth	97mm
Hardware	16mm
Rebate height	25mm
Glazing bead height	23mm
Possible glass thickness:	12-62mm
Internal visible height of the frame	43mm, 57mm, 71mm, 112mm
External visible height of the frame	43mm, 57mm, 71mm, 112mm
External visible height of the transom	66mm, 80mm, 94mm
Exterior	frame and sash profile flush-mounted
Interior	sash profile surface-mounted
Central gasket	ABS integrated
Glazing rubbers	EPDM
Alloy	EN AW 6060 TW66
Thermal break	Abs 49mm

(*) U-Value calculated on the basis of a tilt and turn window measuring 1.2 x 1.5 m (WxH)
 All other standardised classifications performed on a tilt and turn window measuring 1.23 x 1.48 m (WxH)
 Window with 2 suspension points and 6 locking points

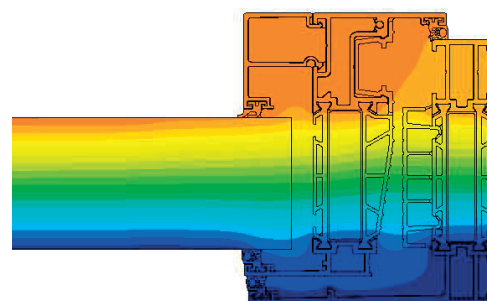
DECALU88 HIDDEN

Ultra-slim profile for an oasis of light

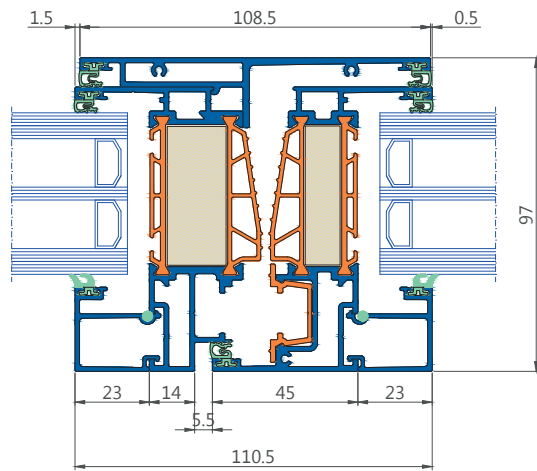


In the hidden profile, the sash is concealed by the aluminium frame. From the outside there is no more distinction between frame and sash. This series is perfectly suited for use in ultra-modern projects.

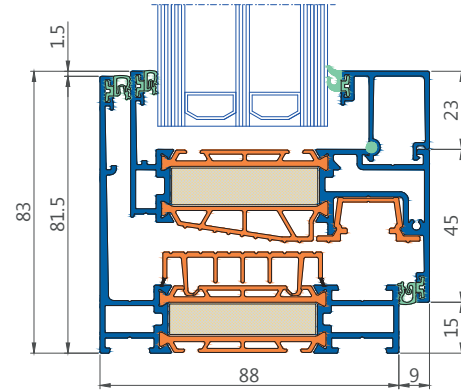
As from $U_f = 1,1 \text{ W}/(\text{m}^2\text{k})$



THERMAL SIMULATION



horizontal section



vertical section

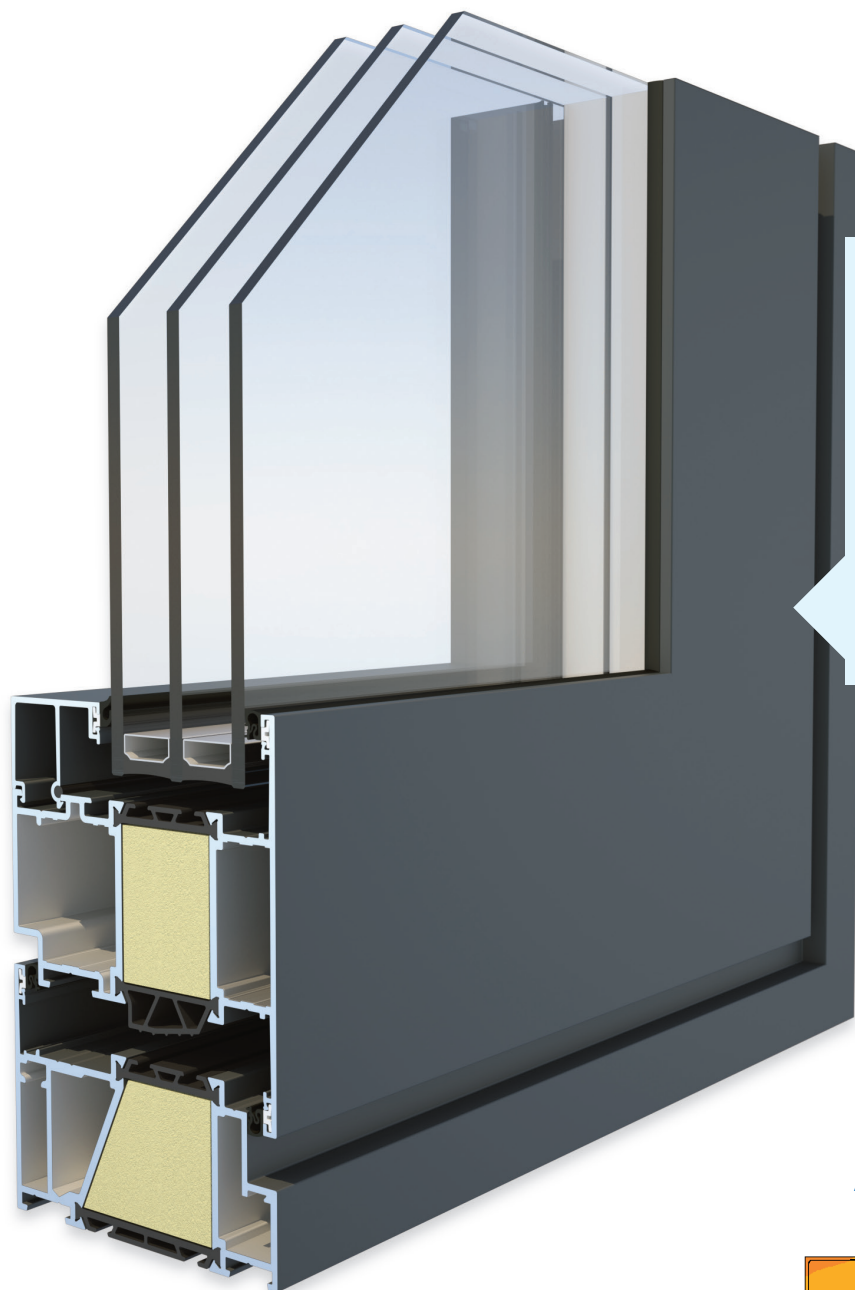
Technical performance		Decalu88 Hidden	
TEST	GLAZING		VALUE (SASH + FRAME)
EN ISO 10077-2			as from $U_f = 1.1 \text{ W/m}^2\text{K}$
EN ISO 10077-1	Double glazing	$U_g = 1.1 \text{ W/m}^2\text{K}$ $U_g = 1.0 \text{ W/m}^2\text{K}$	$U_w = 1.24 \text{ W/m}^2\text{K}^*$ $U_w = 1.17 \text{ W/m}^2\text{K}^*$
	Triple glazing	$U_g = 0.6 \text{ W/m}^2\text{K}$ $U_g = 0.4 \text{ W/m}^2\text{K}$	$U_w = 0.91 \text{ W/m}^2\text{K}^*$ $U_w = 0.78 \text{ W/m}^2\text{K}^*$
Air permeability	NBN EN 12207		class 4
Watertightness	NBN EN 12208		E2400
Wind resistance	NBN EN 12210		class C5
Operating forces	NBN EN 13115		class 1
Incorrect use	NBN EN 13115		Class 3
Acoustic value	88.2/16/6/16/66.2		EN 20140-3:1999 - RW 47(-1;-2)

Technical characteristics	Decalu88 Hidden
Frame installation depth	88mm
Sash installation depth	88mm
Hardware	16mm
Rebate height	25mm
Glazing bead height	23mm
Possible glass thickness:	12-62mm
Internal visible height of the frame	20mm
External visible height of the frame	81.5mm
External visible height of the cross beam	104.5mm, 157mm
Exterior	flat
Interior	sash profile surface-mounted
Central gasket	ABS integrated
Glazing rubbers	EPDM
Alloy	EN AW 6060 TW66
Thermal break	Abs 49mm

(*) U-Value calculated on the basis of a tilt and turn window measuring 1.2 x 1.5 m (WxH)
 All other standardised classifications performed on a tilt and turn window measuring 1.23 x 1.48 m (WxH)
 Window with 2 suspension points and 6 locking points

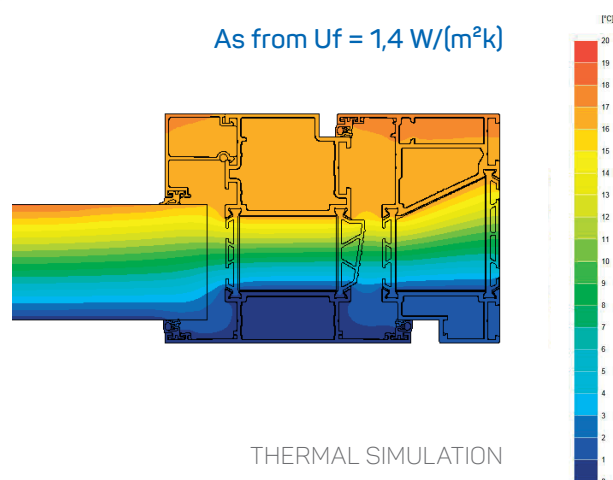
DECALU88 OPEN-OUT

The outward opening sash

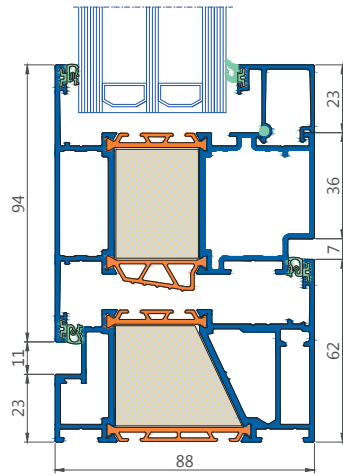


If a fire breaks out, it's not the fire itself but the smoke that claims the most victims. The open-out Decalu88 system was specially designed to deal with this problem. The smoke-triggered engine automatically opens the window in case of a fire. The sash opens outward to evacuate the smoke. Thanks to a modern & elegant look, this system also leads the way designwise.

As from $U_f = 1,4 \text{ W/(m}^2\text{k)}$



THERMAL SIMULATION



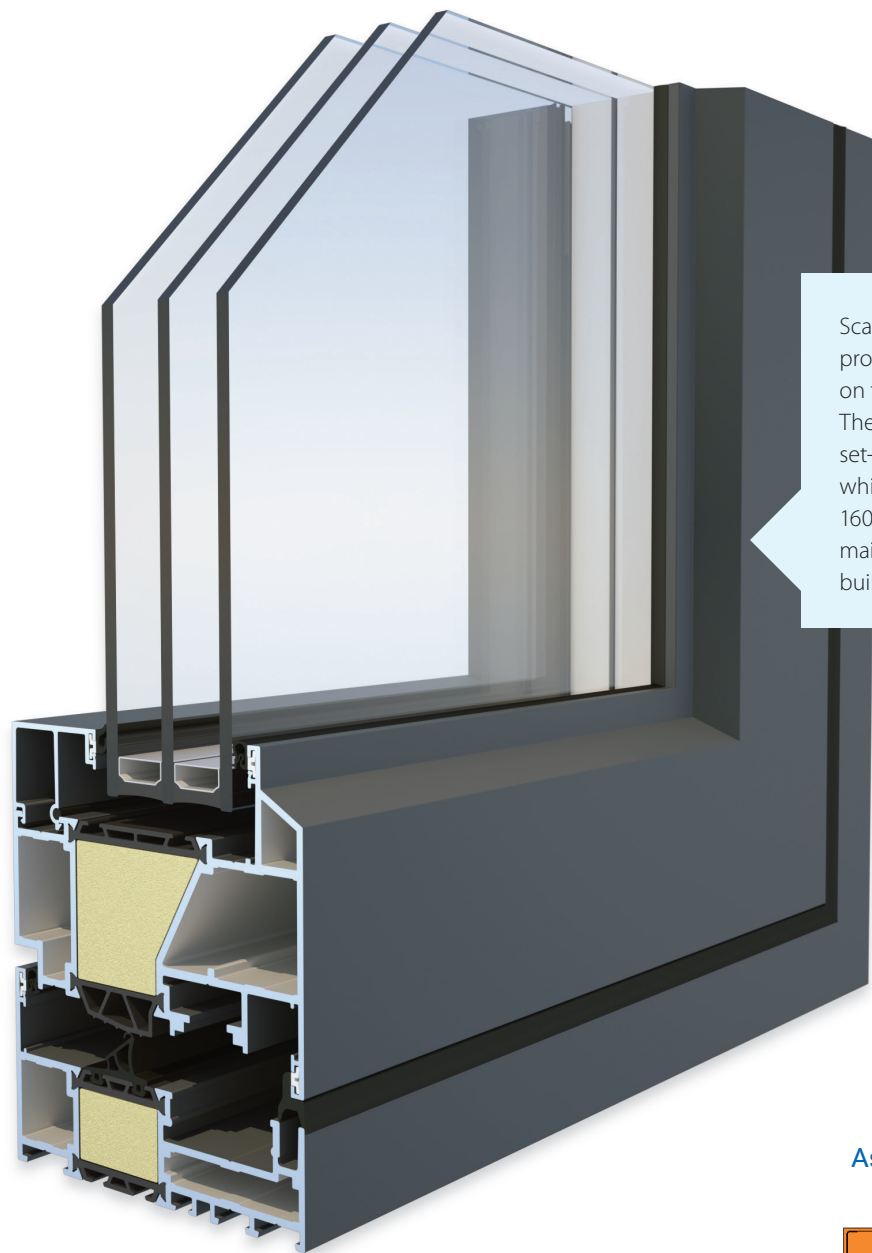
horizontal section

Technical performance		Decalu88 Open-Out
TEST	GLAZING	VALUE (SASH + FRAME)
EN ISO 10077-2		as from $U_f = 1.4 \text{ W/m}^2\text{K}$
EN ISO 10077-1	Double glazing	$U_w = 1.36 \text{ W/m}^2\text{K} *$ $U_w = 1.31 \text{ W/m}^2\text{K} *$
	Triple glazing	$U_w = 1.08 \text{ W/m}^2\text{K} *$ $U_w = 0.97 \text{ W/m}^2\text{K} *$
Air permeability	NBN EN 12207	class 4
Watertightness	NBN EN 12208	E1500
Wind resistance	NBN EN 12210	class C5
Operating forces	NBN EN 13115	n/a
Incorrect use	NBN EN 13115	n/a

Technical characteristics	Decalu88 Open-Out
Frame installation depth	88mm
Sash installation depth	88mm
Hardware	delivered with the system
Rebate height	25mm
Glazing bead height	23mm
Possible glass thickness:	12-62mm
Internal visible height of the frame	62mm
External visible height of the frame	45mm
External visible height of the cross beam	n/a
Exterior	flat
Interior	flat
Central gasket	ABS integrated
Glazing rubbers	EPDM
Alloy	EN AW 6060 TW66
Thermal break	Abs 49mm

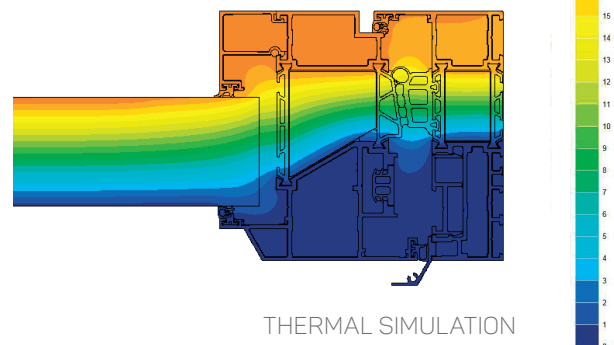
DECALU101 SCAND

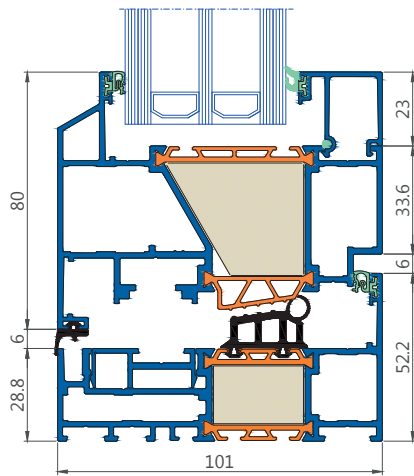
Horizontally opening sash for easy maintenance at heights



Scand windows (pivoting windows) provide a totally different perspective on the maintenance of buildings. These windows have a unique set-up and are fitted with link arms which allow the window to rotate 160 degrees. Ideal for efficient maintenance of the outside of high buildings.

As from $U_f = 1,3 \text{ W}/(\text{m}^2\text{k})$





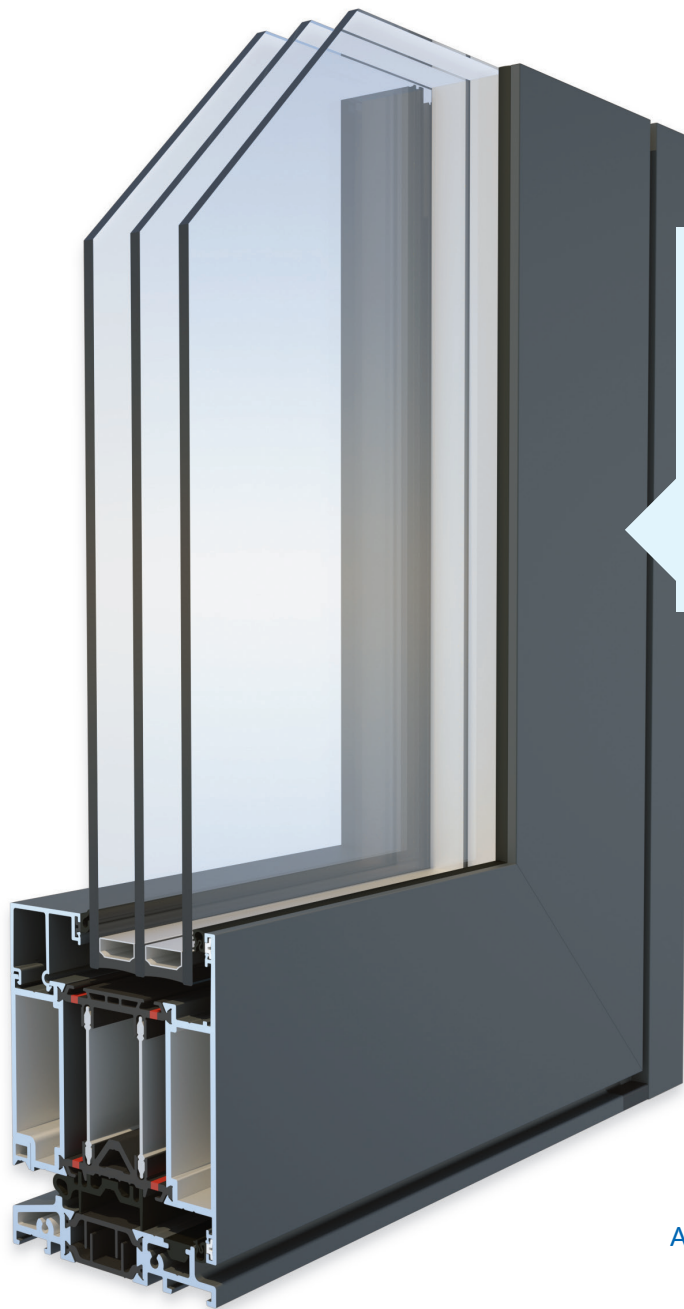
horizontal section

Technical performance		Decalu101 Scand
TEST	GLAZING	VALUE (SASH + FRAME)
EN ISO 10077-2		as from $U_f = 1.3 \text{ W/m}^2\text{k}$
EN ISO 10077-1	Double glazing	$U_g = 1.1 \text{ W/m}^2\text{K}$ $U_g = 1.0 \text{ W/m}^2\text{K}$
	Triple glazing	$U_g = 0.6 \text{ W/m}^2\text{K}$ $U_g = 0.4 \text{ W/m}^2\text{K}$
Air permeability	NBN EN 12207	class 4
Watertightness	NBN EN 12208	E1800
Wind resistance	NBN EN 12210	class C5
Operating forces	NBN EN 13115	n/a
Incorrect use	NBN EN 13115	n/a

Technical characteristics	Decalu101 Scand
Frame installation depth	101mm
Sash installation depth	101mm
Hardware	delivered with the system
Rebate height	25mm
Glazing bead height	23mm
Possible glass thickness:	12-62mm
Internal visible height of the frame	20mm
External visible height of the frame	43mm
External visible height of the cross beam	n/a
Exterior	flat
Interior	flat
Central gasket	EPDM
Glazing rubbers	EPDM
Alloy	EN AW 6060 TW66
Thermal break	Abs 49mm

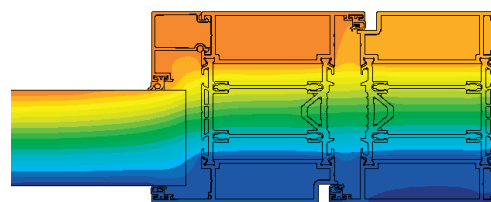
DECALU88 DOORS

Timeless and customisable

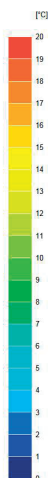


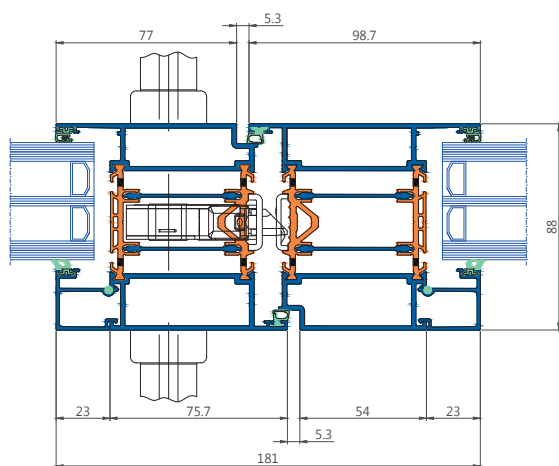
This aluminium door profile combines seamlessly with glass and lacquered aluminium sandwich panels. Customisation based on your preferences in terms of milling lines, glass sections and changeover profiles is possible. The flush-mounted door is fully compatible with the Decalu series.

As from $U_f = 1,3 \text{ W}/(\text{m}^2\text{k})$

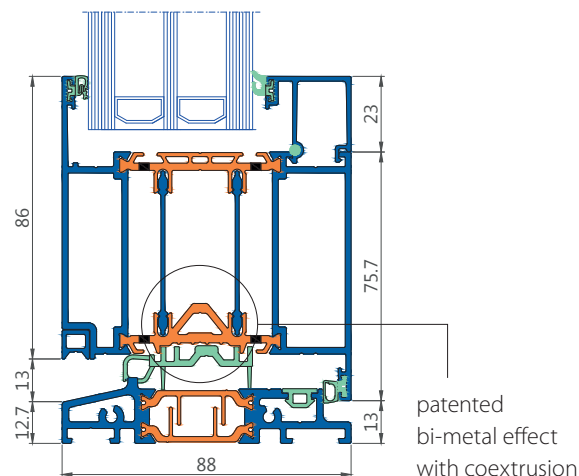


THERMAL SIMULATION





horizontal section



vertical section

Technical performance		Decalu88 Doors
TEST	GLAZING	VALUE (SASH + FRAME)
EN ISO 10077-2		As from $U_f = 1.3 \text{ W/(m}^2\text{k)}$
EN ISO 10077-1	Double glazing	$U_g = 1.1 \text{ W/m}^2\text{K}$ $U_g = 1.0 \text{ W/m}^2\text{K}$
	Triple glazing	$U_g = 0.6 \text{ W/m}^2\text{K}$ $U_g = 0.4 \text{ W/m}^2\text{K}$
Air permeability	NBN EN 12207	class 4
Watertightness	NBN EN 12208	450 pa
Wind resistance	NBN EN 12210	class C4
Operating forces	NBN EN 13115	n/a
Incorrect use	NBN EN 13115	n/a

Technical characteristics	Decalu88 Doors
Frame installation depth	88mm
Sash installation depth	88mm
Hardware	U-shaped locking plates
Rebate height	25mm
Glazing bead height	23mm
Possible glass thickness:	12-62mm
Internal visible height of the frame	40-63mm
External visible height of the frame	53-76mm
External visible height of the cross beam	104.5mm, 157mm
Exterior	flat
Interior	flat
Central gasket	n/a
Glazing rubbers	EPDM
Alloy	EN AW 6060 TW66
Thermal break	ABS 49mm with bi-metal effect

(*) U-Value calculated on the basis of a door measuring 1050 x 2100mm (WxH)

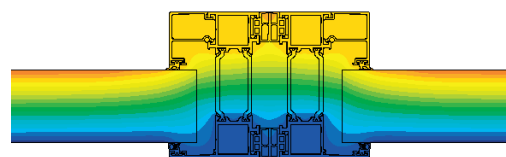
DECALU88 FOLDING DOORS

Outdoor living at its best

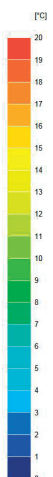


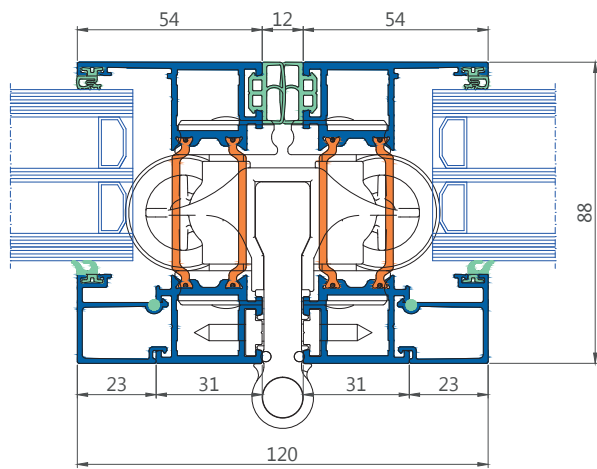
Make optimal use of the window aperture with a **folding door or harmonica door**. This system is also perfectly suited for a poolhouse or a guest room. Thanks to this new architectural window solution, indoor and outdoor spaces merge seamlessly into each other, enabling you to enjoy both in an optimal manner. In addition, one sash can be used as an entrance door.

As from $U_f = 2,3 \text{ W}/(\text{m}^2\text{k})$

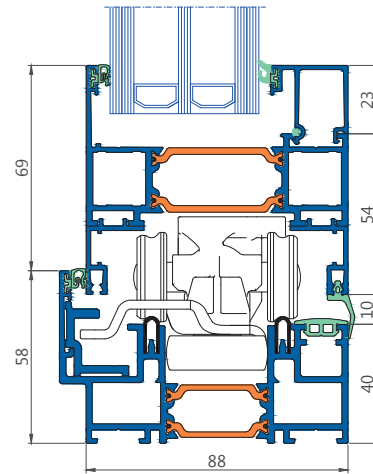


THERMAL SIMULATION





horizontal section



vertical section

Technical performance		Decalu88 Folding Doors	
TEST	GLAZING		VALUE (SASH + FRAME)
EN ISO 10077-2			as from $U_f = 2.3 \text{ W/m}^2\text{K}$
EN ISO 10077-1	Double glazing	$U_g = 1.1 \text{ W/m}^2\text{K}$ $U_g = 1.0 \text{ W/m}^2\text{K}$	$U_w = 1.22 \text{ W/m}^2\text{K}^*$ $U_w = 1.14 \text{ W/m}^2\text{K}^*$
	Triple glazing	$U_g = 0.6 \text{ W/m}^2\text{K}$ $U_g = 0.4 \text{ W/m}^2\text{K}$	$U_w = 0.83 \text{ W/m}^2\text{K}^*$ $U_w = 0.68 \text{ W/m}^2\text{K}^*$
Air permeability	NBN EN 12207		Class 3
Watertightness	NBN EN 12208		450 pa
Wind resistance	NBN EN 12210		n/a
Operating forces	NBN EN 13115		n/a
Incorrect use	NBN EN 13115		n/a

Technical characteristics		Decalu88 Folding Doors
Frame installation depth		88mm
Sash installation depth		88mm
Hardware		delivered with the system
Rebate height:		25mm
Glazing bead height		23mm
Possible glass thickness:		12-62mm
Internal visible height of the frame		30-40mm
External visible height of the frame		30-58mm
External visible height of the cross beam		n/a
Exterior		flat
Interior		flat
Central gasket		n/a
Glazing rubbers		EPDM
Alloy		EN AW 6060 TW66
Thermal break		Abs 49mm

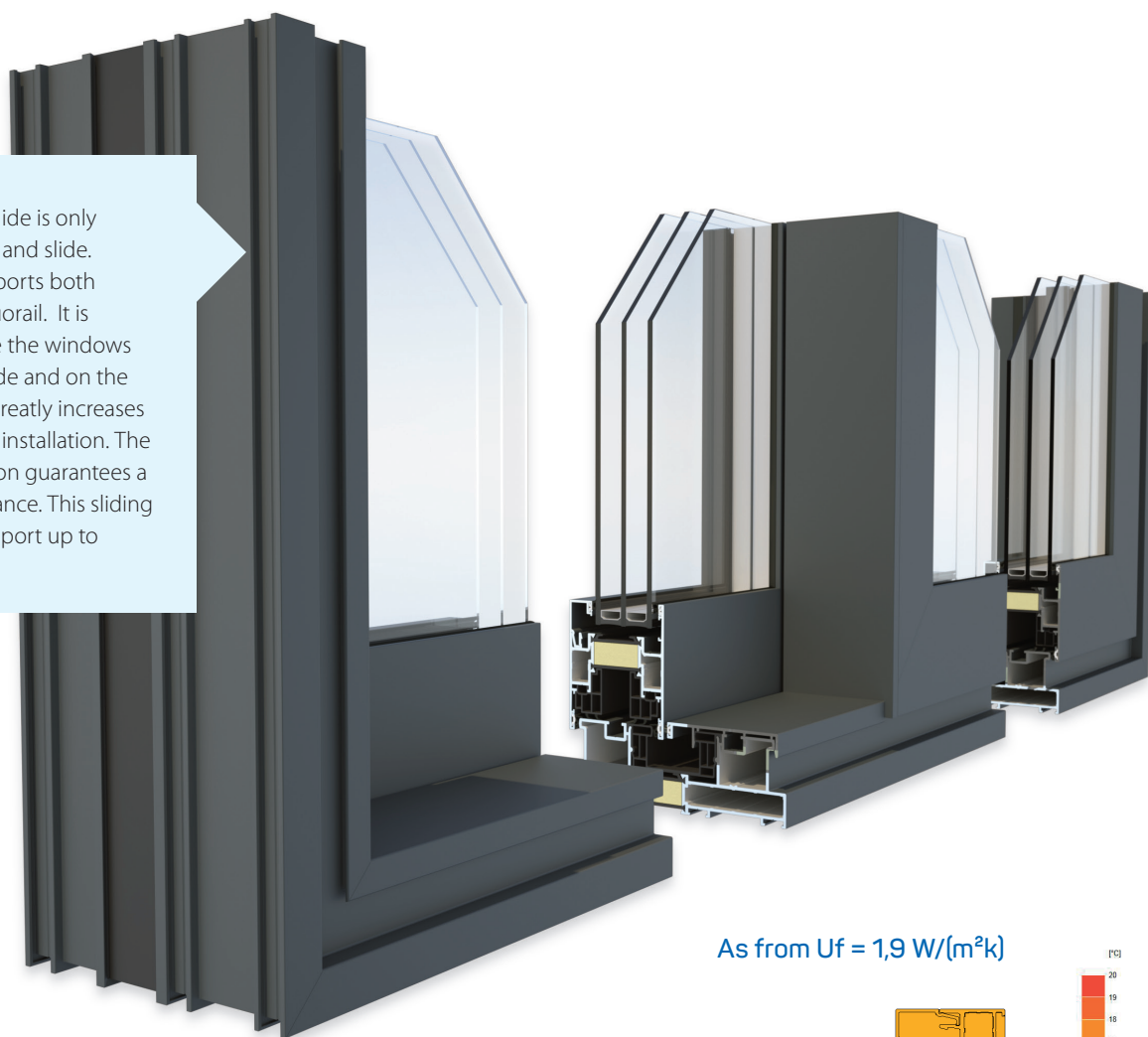
(*) U-Value calculated on the basis of a folding door measuring 4000 x 3000mm (WxH) and featuring 4 sashes

SLIDING WINDOWS

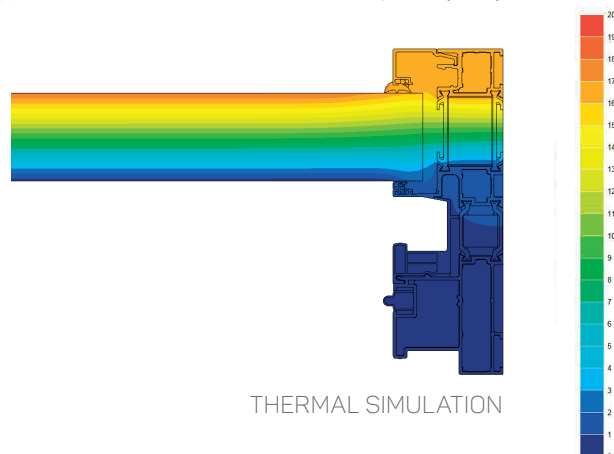
DECALU163 SLIDE

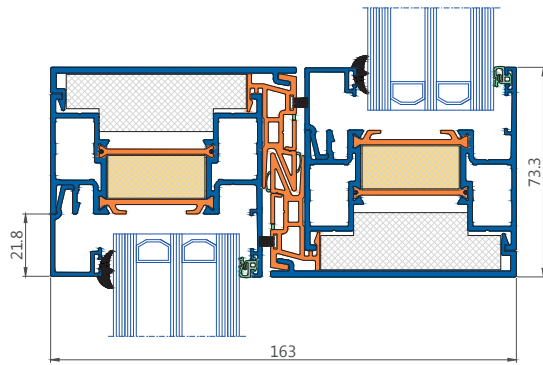
Modular windows with exceptional thermal performance

The Decalu163 slide is only available as a lift and slide. This system supports both monorail and duorail. It is possible to glaze the windows both on the inside and on the outside, which greatly increases the efficiency of installation. The minimalist mullion guarantees a modern appearance. This sliding window can support up to 400 kg of glass.

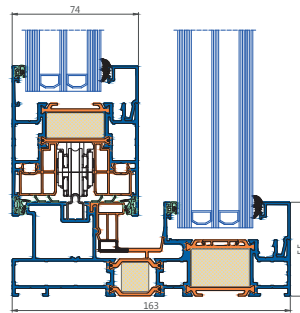


As from $U_f = 1,9 \text{ W}/(\text{m}^2\text{k})$

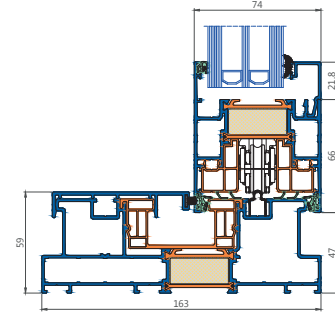




horizontal section



vertical section (monorail)



vertical section (duorail)

Technical performance		Decalu163 Slide	
TEST	GLAZING		VALUE (SASH + FRAME)
EN ISO 10077-2			As from $U_f = 1.9 \text{ W/(m}^2\text{k)}$
EN ISO 10077-1	Double glazing	$U_g = 1.1 \text{ W/m}^2\text{K}$ $U_g = 1.0 \text{ W/m}^2\text{K}$	$U_w = 1.3 \text{ W/m}^2\text{K}^*$ $U_w = 1.3 \text{ W/m}^2\text{K}^*$
	Triple glazing	$U_g = 0.6 \text{ W/m}^2\text{K}$ $U_g = 0.4 \text{ W/m}^2\text{K}$	$U_w = 0.9 \text{ W/m}^2\text{K}^*$ $U_w = 0.8 \text{ W/m}^2\text{K}^*$
Air permeability	NBN EN 12207		class 3
Watertightness	NBN EN 12208		class 9A
Wind resistance	NBN EN 12210		class C2
Operating forces	NBN EN 13115		n/a
Incorrect use	NBN EN 13115		n/a

Technical characteristics	Decalu163 Slide
Frame installation depth	16.3mm
Sash installation depth	74mm
Hardware	Siegenia
Rebate height:	25mm
Glazing bead height	23mm
Possible glass thickness:	27-58mm
Internal visible height of the frame	55mm
External visible height of the frame	55mm
External visible height of the cross beam	70mm
Exterior	flush-mounted possible
Interior	flush-mounted possible
Glazing rubbers	EPDM
Alloy	EN AW 6060 TW66
Thermal break	Abs 49mm

(*) U-Value calculated on the basis of a sliding window measuring 4000 x 3000mm (BxH)

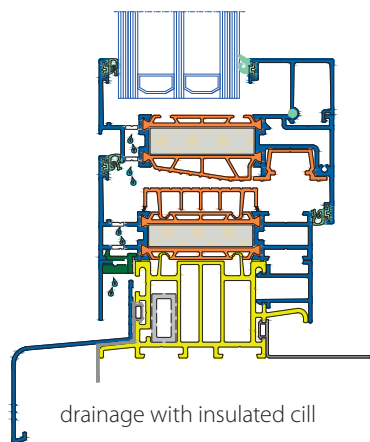
DRAINAGE



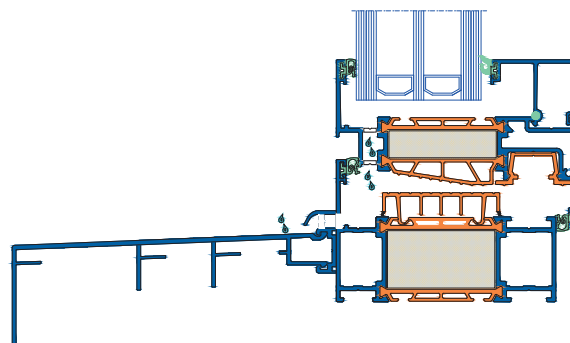
The drainage elements of the Decalu line are hidden in the frame profile, which means they have a minimal impact on the visual aspect. The different drainage systems and cills click into place in the window profile easily.

CILLS

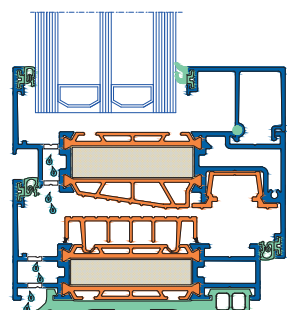
Available in various sizes (50-400mm) and overhangs (25-40mm)



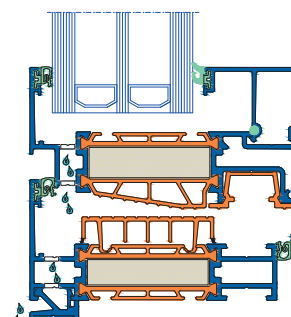
drainage with insulated cill



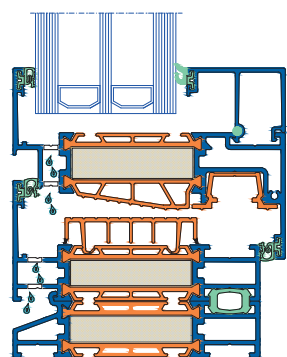
drainage with projecting cill



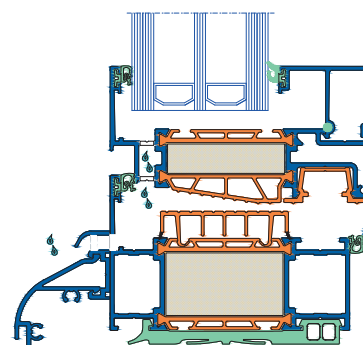
drainage with support gasket



drainage with chair profile



drainage with cill



drainage with retro profile and support gasket

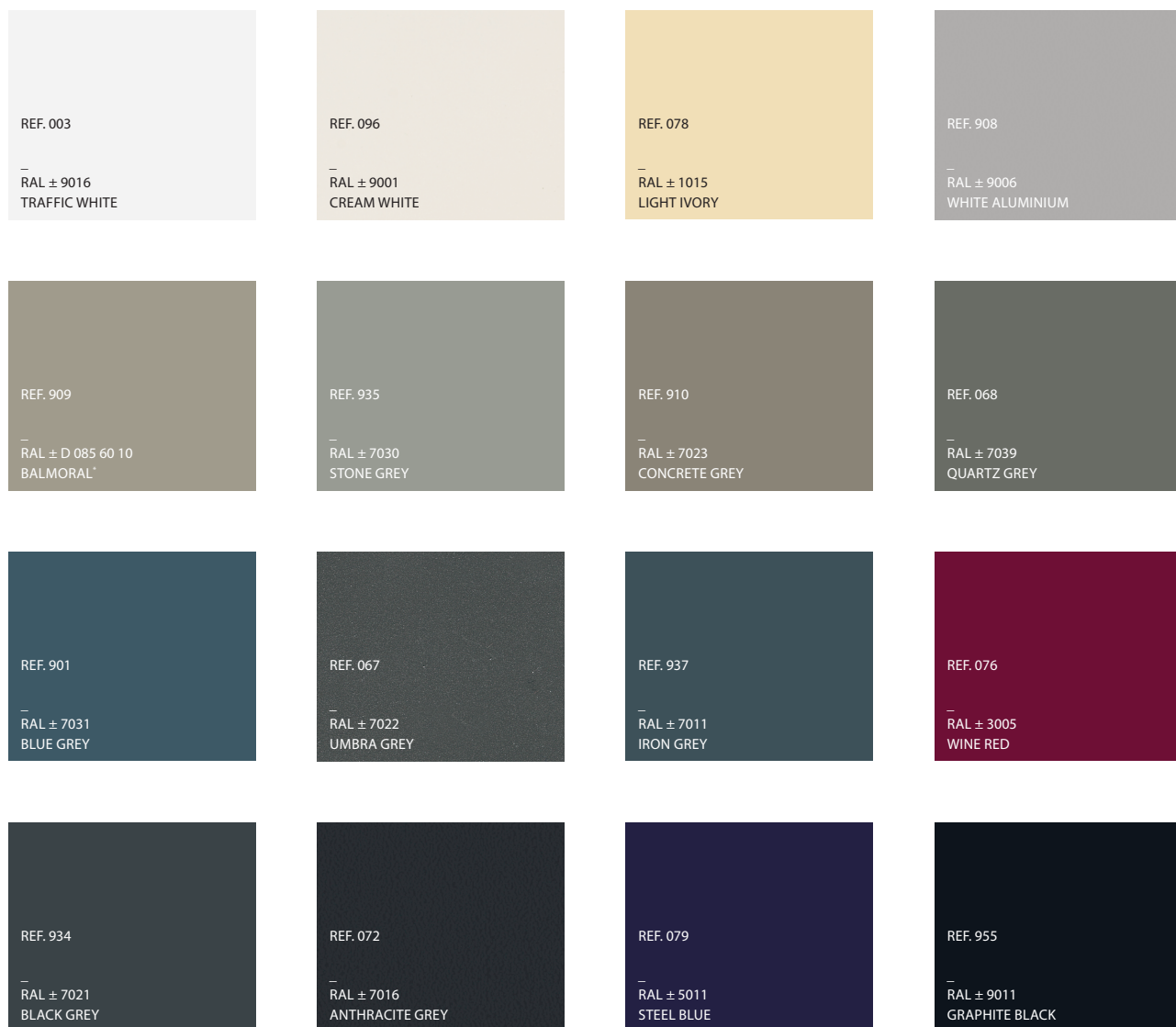
Colour is essential for the atmosphere and appearance of a building. It has to fit in with the other elements of the facade.

At Deceuninck, we strive for 'material neutrality'. This vision inspired us to develop the Smart Colours principle for our range of coatings.

The colours mentioned below are available in Aluroc and Decoroc and can be combined for the entire Deceuninck range of products, including Tunal products.

The 16 colours mentioned below meet the requirements of QualiCoat class II while other RAL colours are available in class I.

The Smart Colours principle enables architects and clients to effortlessly combine pvc and aluminium in one project.



(*) Deze kleur behoort tot de RAL design kleurcollectie

Smart Colours 2019-2020

A fitting colour scheme for any lifestyle

Looking for windows with an edgy look or do you prefer a rustic finish? With Smart Colours, Deceuninck offers something for every taste. Get inspired by the wide range of colours we have on offer.

16 trendy colours

Deceuninck always strives for a range of colours that is up-to-date with the latest trends. Based on market research, we selected 16 RAL colours that fit in perfectly with contemporary home decoration trends. We offer options for both industrial and rural homes, ranging from stone grey and steel blue to light ivory.

REF. 003 — RAL ± 9016 TRAFFIC WHITE	REF. 096 — RAL ± 9001 CREAM WHITE	REF. 078 — RAL ± 1015 LIGHT IVORY	REF. 906 — RAL ± 9006 WHITE ALUMINIUM
REF. 909 — RAL ± D085 60 10 BALMORAL'	REF. 935 — RAL ± 7030 STONE GREY	REF. 910 — RAL ± 7023 CONCRETE GREY	REF. 068 — RAL ± 7039 QUARTZ GREY
REF. 901 — RAL ± 7031 BLUE GREY	REF. 067 — RAL ± 7022 UMBRA GREY	REF. 937 — RAL ± 7011 IRON GREY	REF. 076 — RAL ± 3005 WINE RED
REF. 934 — RAL ± 7021 BLACK GREY	REF. 072 — RAL ± 7016 ANTHRACITE GREY	REF. 079 — RAL ± 5011 STEEL BLUE	REF. 955 — RAL ± 9011 GRAPHITE BLACK



Cabin fever



REF. 068 / RAL ± 7039
QUARTZ GREY

REF. 096 / RAL ± 9001
CREAM

contemporary edge



REF. 072
RAL ± 7016
ANTHRACITE GREY

REF. 934
RAL ± 7021
BLACK GREY

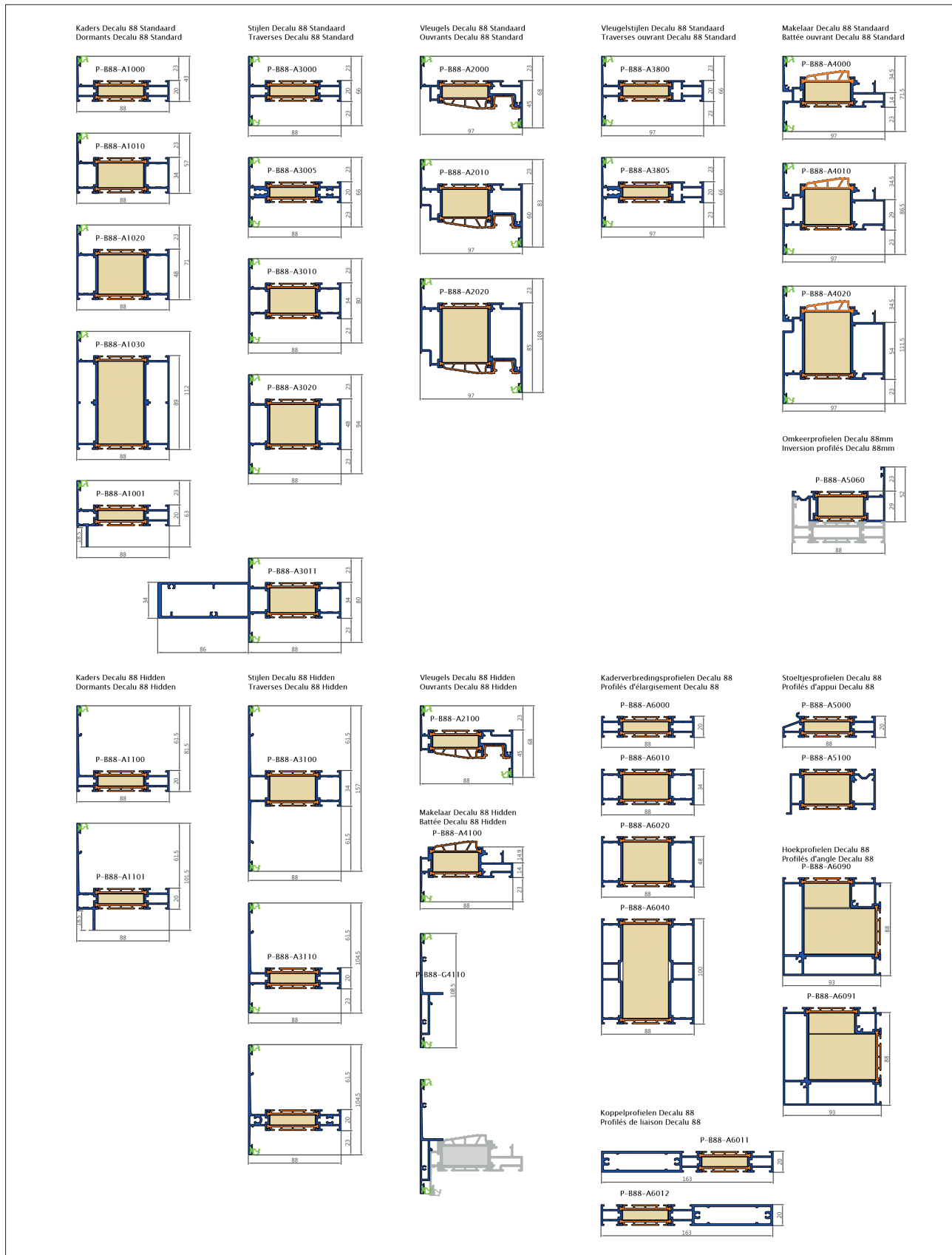
MIX & MATCH

Our colour collections Aluroc and Decoroc are completely attuned to each other thanks to the Smart Colours principle. The range of 16 colours can be applied on all profiles in both aluminium and pvc without the slightest difference in colour.

Combine joinery elements by Deceuninck, Deceuninck Aluminium and Tunal effortlessly and get the most out of a building project in terms of quality, budget and design.

DECALU PROFILES

Aluminium windows & doors



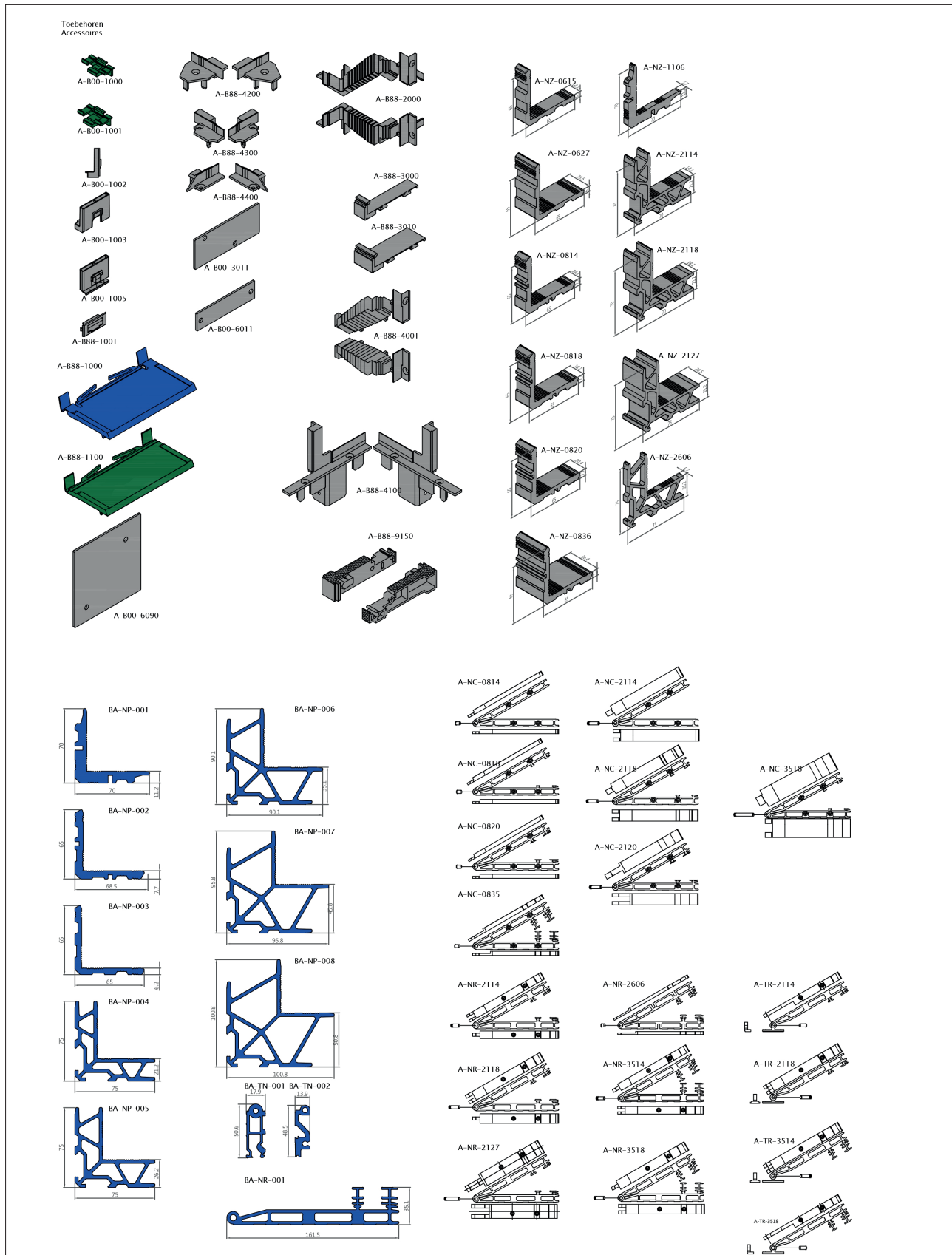
DECALU PROFILES

Aluminium windows & doors

<p>Kaders Decalu 94 Retro Dormants Decalu 94 Retro</p>	<p>Stijlen Decalu 94 Retro Traverses Decalu 94 Retro</p>	<p>Vueugels Decalu 94 Retro Ouvrants Decalu 94 Retro</p>	<p>Vueugelstijlen Decalu 94 Retro Traverses ouvrant Decalu 94 Retro</p>	<p>Makelaar Decalu 94 Retro Batterie ouvrant Decalu 94 Retro</p>
<p>Kaders Decalu 110 Steel Dormants Decalu 110 Steel</p>	<p>Stijlen Decalu 110 Steel Traverses Decalu 110 Steel</p>	<p>Vueugels Decalu 110 Steel Ouvrants Decalu 110 Steel</p>	<p>Makelaar Decalu 110 Steel Batterie ouvrant Decalu 110 Steel</p>	<p>Stoeltesprofielen Decalu 110 Steel Profils d'appui Decalu 110 Steel P-B88-A5200</p>
	<p>Stijlen Decalu 88 New Steel Traverses Decalu 88 New Steel</p>	<p>Vueugels Decalu 88 New Steel Ouvrants Decalu 88 New Steel</p>	<p>Makelaar Decalu 88 New Steel Batterie ouvrant Decalu 88 New Steel</p>	
<p>Glaslatten Parscloes</p>	<p>Rubbers Joints</p>	<p>Extra profiel tabel Table de profil supplémentaire</p>	<p>Speciale toepassingen Applications spéciales</p>	

DECALU PROFILES

Aluminium windows & doors



DECALU PROFILES

Aluminium windows & doors

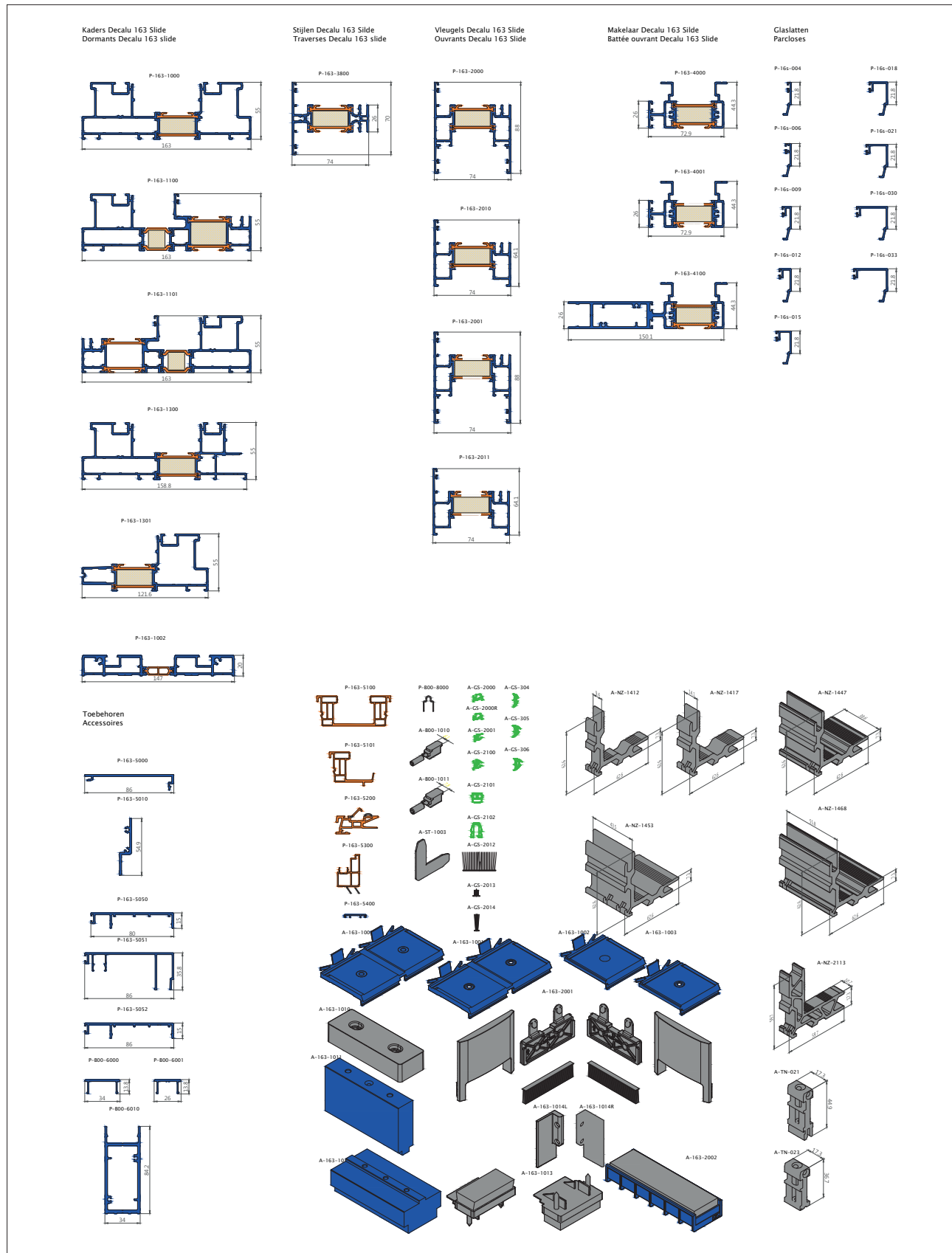
Kaders Decalu 88 vouwdeuren Dormants Decalu 88 portes pliantes	Extra profiel tabel Table de profil supplémentaire	Glaslatten Parclosets	Toebehoren Accessoires

Kaders Decalu 88 Scand Dormants Decalu 88 Scand	Stijlen Decalu 88 Scand Traverses Decalu 88 Scand	Vleugels Decalu 88 Scand Ouvrants Decalu 88 Scand	Toebehoren Accessoires

Kaders Decalu 88 Open out Dormants Decalu 88 Open out	Vleugels Decalu 88 Scand Ouvrants Decalu 88 Scand	Toebehoren Accessoires

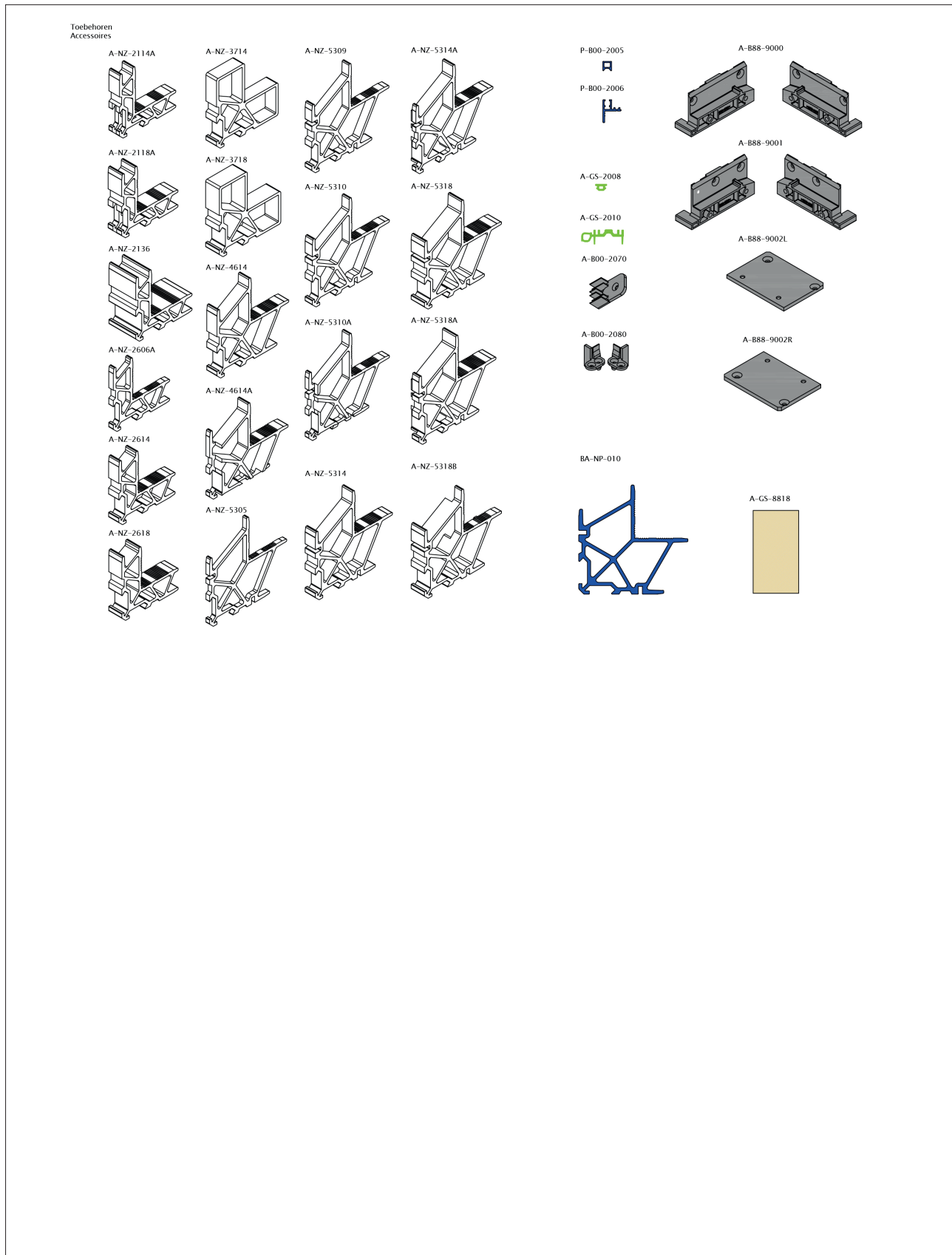
DECALU PROFILES

Aluminium sliding windows



DECALU PROFILES

Aluminium windows & doors



QUALITY CONTROL

Internal inspections

Our experts check the quality of the profiles on a daily basis. They test all characteristics of the raw materials, the extruded profiles and the finished window and door systems in accordance with the strictest European standards. Dimensions, colour, thermal stability, corner joints and compositions are verified at regular intervals.

Finished windows and doors are checked for air permeability, wind resistance and watertightness. These strict internal inspections ensure the exceptional quality of the Deceuninck profiles.

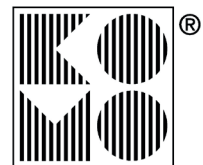
Proven quality

Deceuninck always undertakes to have its products certified even though this is not legally required. This demonstrates that Deceuninck attaches great importance to quality. Numerous approvals from various bodies, including from the Belgian Union for Technical Approval in Construction (BUtgb), the so-called ATG approvals, as well as KOMO certificates issued by Kiwa and SKG, are the best proof of this. An overview of all technical approvals at our disposal can be found on the website.

Certified product and installation

Mandated accredited certification bodies, such as Kiwa in Belgium, exercise external control over the conformity of production with the published approval at a specified frequency. Within this scope, quality certification agency Kiwa has developed an industry-specific quality label (SSK) in collaboration with Deceuninck. This quality label goes way beyond the European CE standard and provides even greater certainty that both the production (SSK 2001) and the installation (SSK 2002) of the window and door systems take place in a skilful manner.

The scope of the accreditation is extended at regular intervals. This ensures that we continue to comply with the increasingly strict market demands.







INNOVATION



ECOLOGY



DESIGN

Building a sustainable home

Deceuninck's commitment to the fields **innovation**, **ecology** and **design** gives us a clear objective: **building a sustainable home**. A house with a **better energy efficiency** and a **pleasant appearance**.

Deceuninck uses advanced materials worldwide and allows the manufacturer to produce products with a **long lifespan** and **high insulation value** requiring **little maintenance** and which are **100% recyclable**. Moreover, we can build a better world thanks to our values for our partners and our end users.

<p>WINDOWS & DOORS</p> <hr/> <p>PVC Our profiles are characterised by a perfect balance between energy efficiency and comfort. We offer you an outstanding comprehensive solution for your windows, doors and shutters with excellent thermal and acoustic characteristics in a variety of colours.</p>	<p>GARDEN SOLUTIONS</p> <hr/> <p>TWINSON The Twinson composite decking and fencing solutions are made to last an eternity. They fit in with your home in a natural and harmonious manner and guarantee real added value.</p>	<p>VENTILATION</p> <hr/> <p>ALUMINIUM Deceuninck's innovative ventilation systems enable you to manage air quality perfectly. Our hi-tech solutions combine functionality, aesthetics and sustainability to increase your living comfort and offer you an easily manageable indoor climate.</p>
<p>ALUMINIUM Ultimate sustainability and ecofriendliness? Our aluminium profiles are 100% recyclable. The addition of PVC furthermore ensures a higher insulation value.</p>	<p>ROOF & FACADE</p> <hr/> <p>PVC - ALU - TWINSON Our wall cladding and roofline systems consist of PVC, aluminium and the unique Twinson material that has been certified by PEFC. The exterior of your home will look great for many years without needing a paint job. The materials are easy to install (even with standard equipment) and combine elegance with ease of maintenance.</p>	<p>INTERIOR APPLICATIONS</p> <hr/> <p>PVC Deceuninck offers you a stylish and contemporary range of wall and ceiling coverings, window cills and plinths. Changing your interior has never been easier.</p>

YOUR DECEUNINCK PARTNER

The certified Deceuninck partners are part of one network of distributors who make it a matter of honor to deliver high quality work. This network guarantees you a correct installation and a high-quality customer service, without a doubt an added value for your Deceuninck product.

PUT YOUR STAMP HERE



DECEUNINCK NV - BENELUX

Bruggesteinweg 360, BE-8830 Hooglede-Gits

CONTACT T +32 51 239 272 | benelux@deceuninck.com | www.deceuninck.com